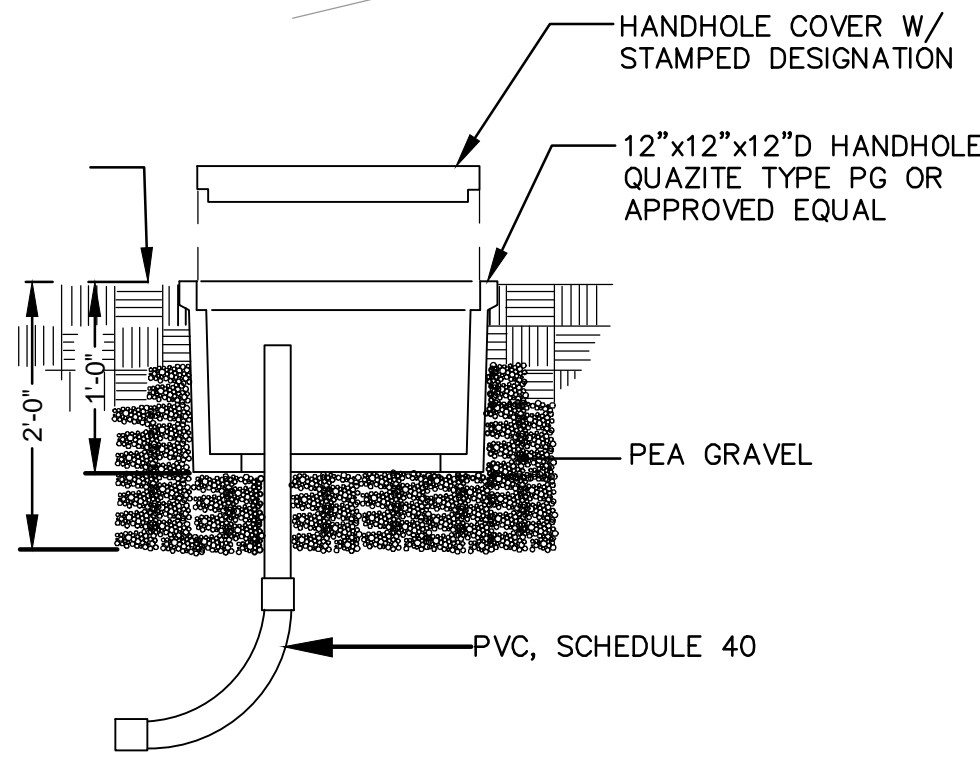


NOTES

- EXISTING OVER HEAD 120/240V, 1P, 3W SERVICE CONDUCTORS TO BE MODIFIED AS REQUIRED TO FACILITATE THE UPGRADE OF THE EXISTING ELECTRICAL SERVICE FROM 100A TO 200A. E.C. TO COORDINATE UPGRADE REQUIREMENTS WITH THE UTILITY CO.
- EXISTING 120/240V, 1φ, 3W, 100A, ELECTRIC SERVICE EQUIPMENT - WEATHERHEAD, CONDUIT AND METER SOCKET TO BE REMOVED AND REPLACED BY ELECTRICAL CONTRACTOR AS REQUIRED TO UPGRADE SERVICE FROM 100A TO 200A.
- SEE SERVICE RISER DIAGRAMS ON SHEET 18 FOR REQUIRED MODIFICATION.
- NEW 200A, 120/240V, PANEL LP-A TO BE INSTALLED IN PLAN ROOM. THIS PANEL TO BE USED TO FEED EXISTING CIRCUITS BEING FED FROM EXISTING PANEL LP-A WHICH IS TO BE REMOVED WITH SERVICE UPGRADE.
- SURFACE MOUNTED EXTERIOR JUNCTION/PULL BOX AT BUILDING EXTERIOR WALL TO SERVE AS TRANSITION POINT BETWEEN INTERIOR CONDUITS AND UNDERGROUND RACEWAYS. JUNCTION BOX SHALL BE NEMA 4X, FIBERGLASS REINFORCED POLYESTER (FRP) ENCLOSURE SUITABLE FOR WET LOCATIONS, COMPLETE WITH GASKETED COVER AND STAINLESS STEEL HARDWARE
- (2) 1 1/2" INTERIOR CONDUIT W/ PANEL LP-B FEEDERS AND COMMUNICATION WIRING OR PULL WIRE FOR FUTURE COMMUNICATIONS Recommended Drawing Note

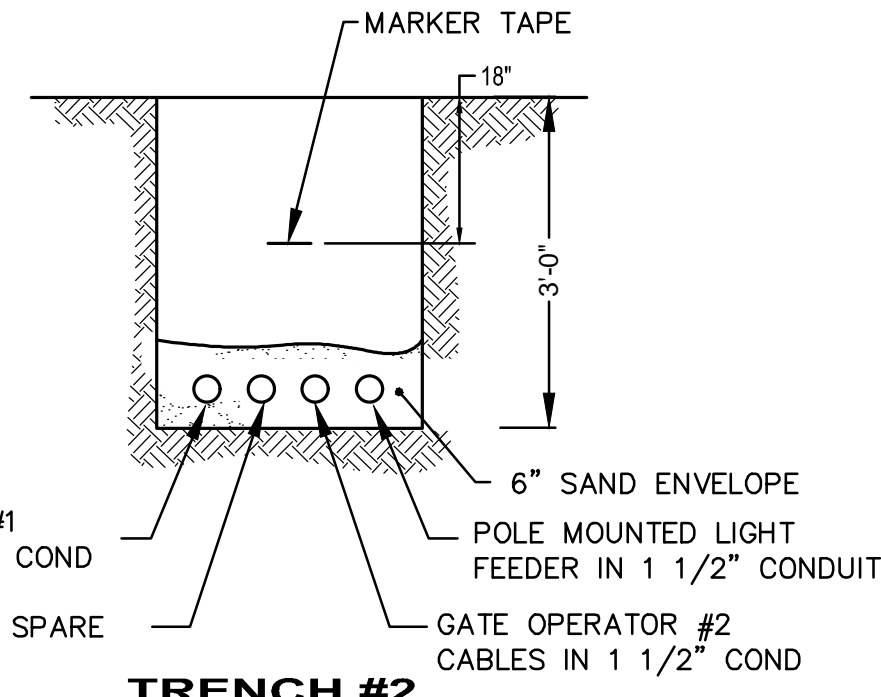
PULL BOXES:
Provide pull boxes where required for underground conduit runs to facilitate conductor installation. Size pull boxes in accordance with NEC requirements based on the largest conduit entering the box and the number of conduits. Minimum pull box size shall be 12" x 12" x 12" unless otherwise noted. Provide larger pull boxes where required by conductor bending radius or pull length. Install pull boxes flush with finished grade and rated for traffic loading where located in paved areas.



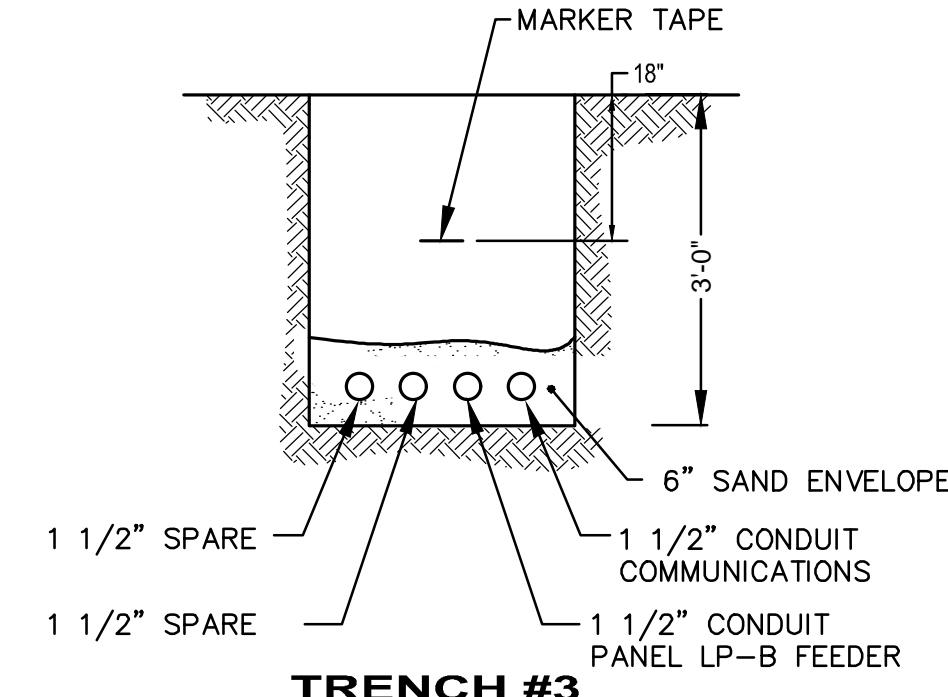
HANDHOLE DETAIL
NOT TO SCALE

CONSTRUCT TRENCH #2 IN CONFORMANCE WITH UTILITY SPECIFICATIONS. PLACE SAND ENVELOPE BED AND TRACER TAPE. BACKFILL AND RESTORE TRENCH.

WHERE CONDUITS PASS BENEATH DRIVE WAY, ENCASE CONDUIT IN 3" CONCRETE ENVELOPE ALL AROUND AND EXTEND CONCRETE ENCASMENT TO 2'-0" BEYOND EDGE OF DRIVE WAY.



TRENCH #2



TRENCH #3

CONDUIT TRENCH DETAILS
NOT TO SCALE

NO	REVISION	DATE

ISSUED FOR: PROJECT NO. 241249
 ISSUE DATE: 10/16/24 DISCIPLINE: ELECTRICAL
 SCALE: AS NOTED SHEET NAME: 20-E-02
 DESIGNED BY: ELE SHEET NO. OF 17A 20
 DRAWN BY: ELE
 CHECKED BY: Value

CITY OF CONNEAUT
 CLARK STREET
 WATER TANK REPLACEMENT
 CONNEAUT, OHIO
 ASHTABULA COUNTY
 ELECTRICAL - E SERIES
 SITE PLAN