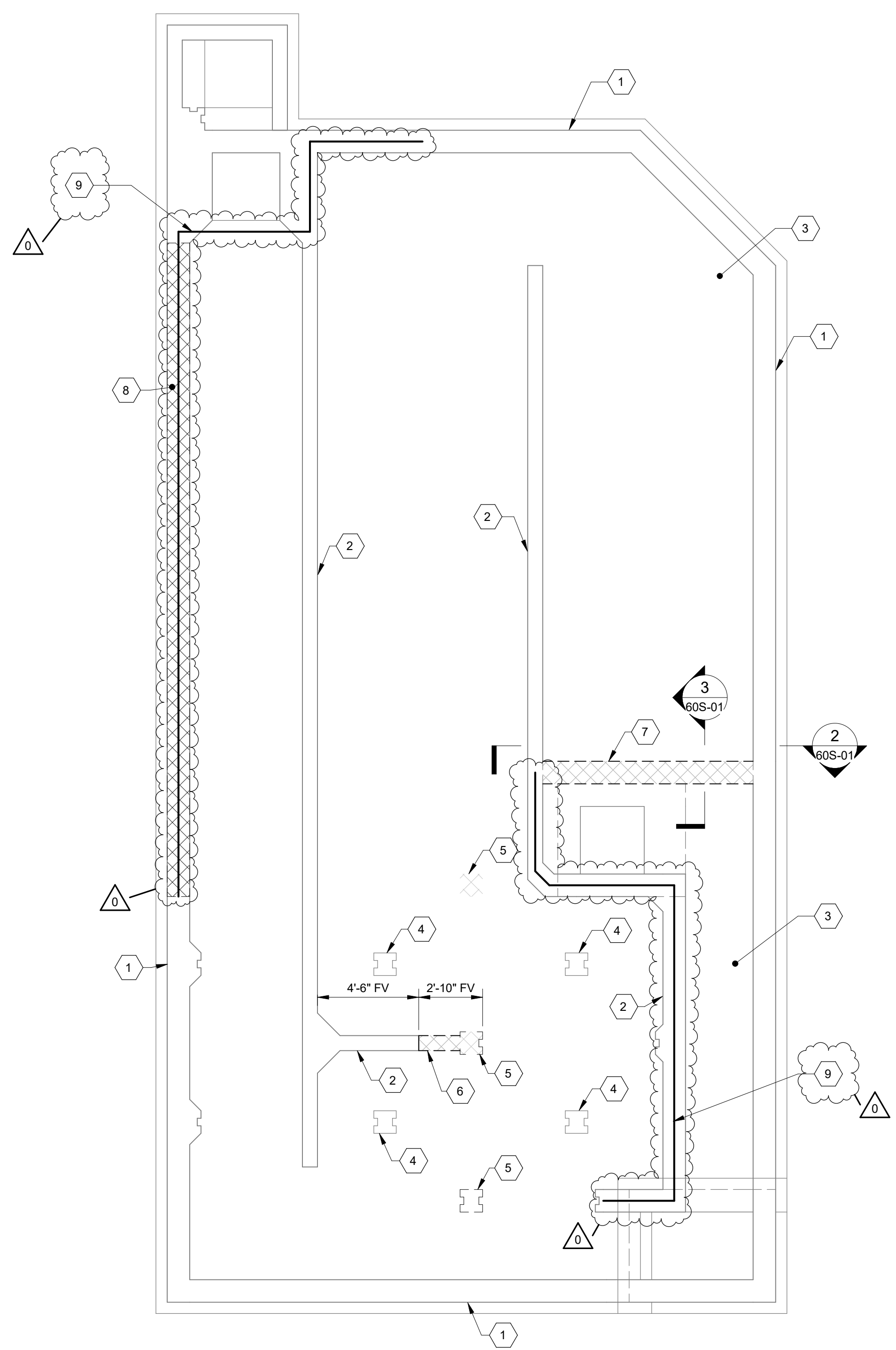
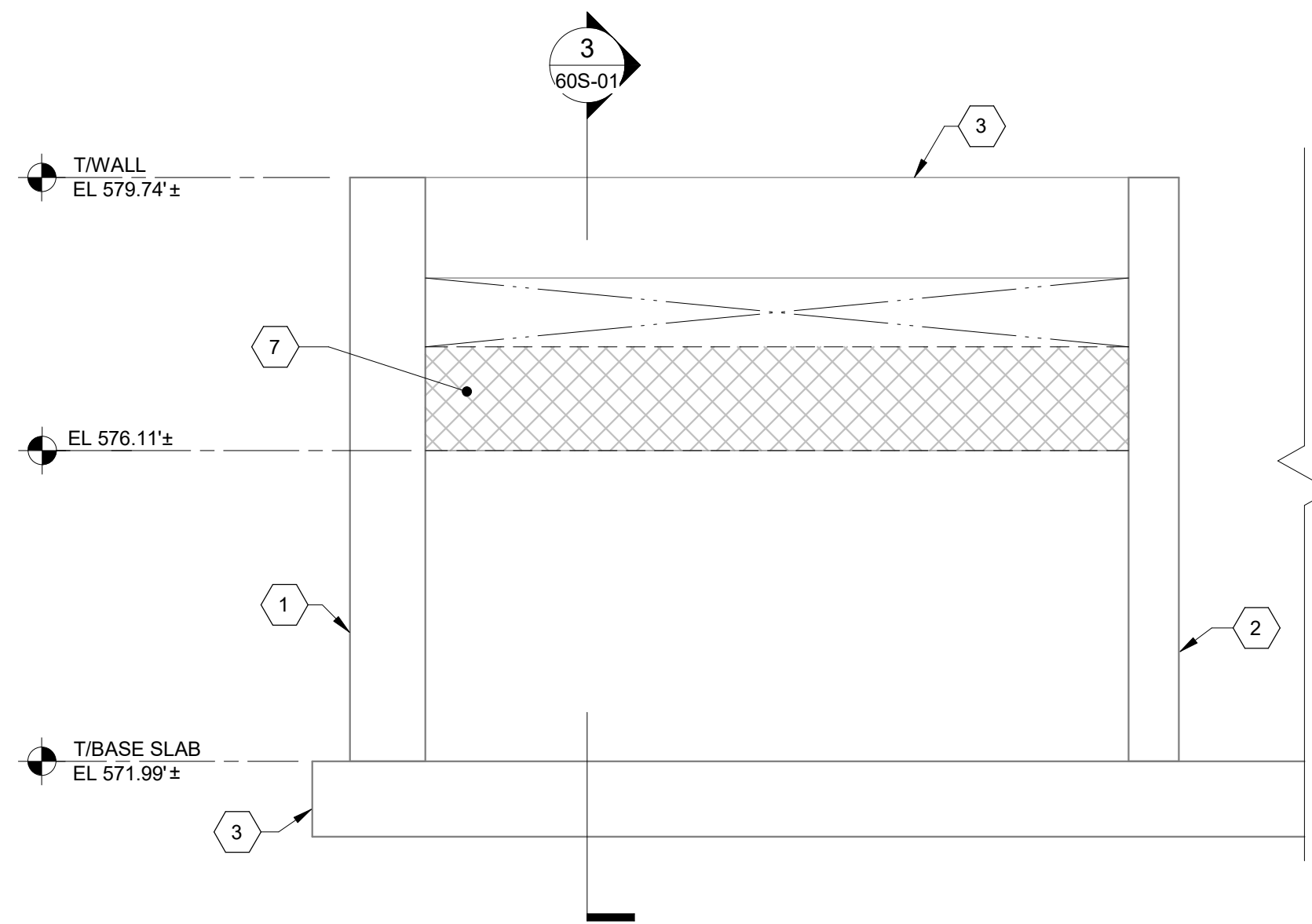


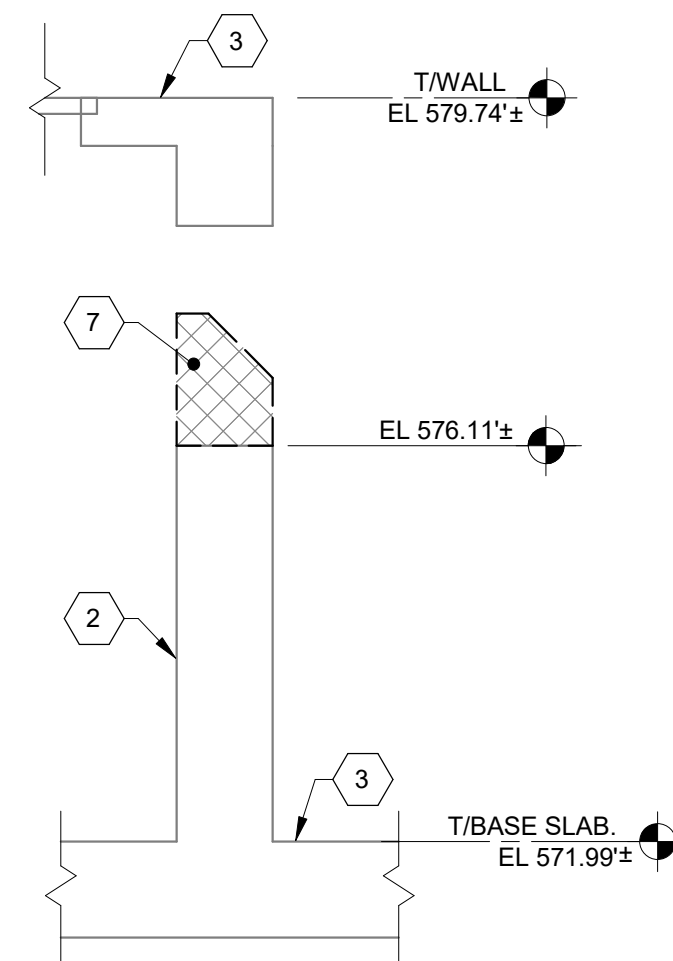
8/23/2024 10:35:51 AM



1 BASIN DEMO PLAN
60S-01/ 1/4" = 1'-0"



2 SECTION
60S-01/ 1/2" = 1'-0"



3 SECTION
60S-01/ 1/2" = 1'-0"

PLAN NOTES

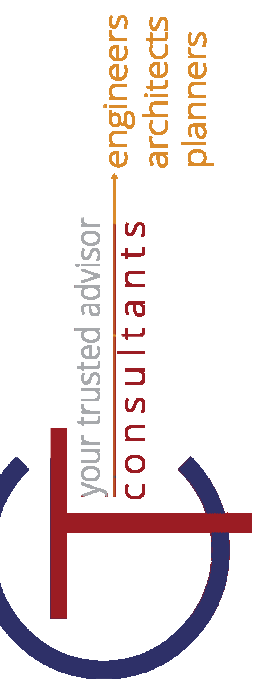
1. SEE SHEETS SD-S-01 TO SD-S-03 FOR STRUCTURAL GENERAL NOTES.
2. SEE SHEET SD-S-04 TO SD-S-08 FOR TYPICAL DETAILS.
3. FIELD VERIFY ALL ELEVATION. TOP OF WALL ELEVATION 579.74'. VERIFY.
4. FIELD VERIFY ALL DIMENSION. FIELD VERIFY ALL MEASUREMENTS NOT SHOWN.
5. COORDINATE LOCATION AND SIZE OF ALL FLOOR PENETRATIONS, TRENCHES, EQUIPMENT SIZES, AND OPENINGS WITH PROCESS, MECHANICAL, AND ELECTRICAL.
6. COORDINATE LOCATION AND SIZE OF ALL EQUIPMENT PADS WITH PROCESS, MECHANICAL, ELECTRICAL AND PLUMBING DRAWINGS.
7. DEMOLITION AND PATCHING OF WALLS AND SLABS
 - A. SAWCUT AROUND THE PERIMETER OF THE CONCRETE TO BE REMOVED TO THE DEPTH OF 1 1/2" DEEP. DO NOT OVERCUT SLAB. CORE DRILL CORNERS PRIOR TO SAW CUT.
 - B. REMOVE CONCRETE WITHIN SAWCUT PERIMETER DOWN TO 1 1/2" DEEP WITH ABRASIVE BLAST AND/OR CHIPPING OUT THE CONCRETE.
 - a. DO NOT USE CHIPPING HAMMERS LARGER THAN 15 LBS. FOR THIS WORK.
 - b. DO NOT USE METHODS THAT WILL CAUSE CRACKING TO THE REMAINING CONCRETE.
 - C. ROUGHENED SURFACE TO 3/8 INCH AMPLITUDE. THE SURFACE SHALL BE ABRASIVE BLASTED OR CHIPPED AS REQUIRED THEN LOW PRESSURE WASH AND THOROUGHLY CLEAN.
 - D. PRESSURE WASH ALL SURFACES WITH CLEAN, POTABLE WATER TO REMOVE ALL SOLUBLE SALTS, AND RINSE WELL.
 - E. PERFORM ABRASIVE BLAST CLEANING OR POWER TOOL CLEANING AS REQUIRED ON ALL EXPOSED REINFORCING STEEL, EXPOSED EMBEDDED METAL ITEMS, AND STEEL SURFACE AGAINST WHICH MORTAR IS TO BE PLACED.
 - F. REMOVE ALL COATINGS, DIRT, AND CORROSION FROM SURFACES.
 - G. EXPOSED METAL SHALL BE CLEANED TO WHITE METAL AND COATED WITH A CORROSION INHIBITOR.
 - H. FINAL SURFACE PREPARATION SHALL BE BASED ON THE BONDING AGENT AND REPAIR MORTAR MANUFACTURERS MOST STRINGENT REQUIREMENTS.
 - a. REPAIR MORTAR SHALL NOT BE FEATHERED.
 - b. FIELD VERIFY GUARDRAIL. REMOVE EXISTING GUARDRAIL AT NEW WALKING SURFACES. REMOVE TO NEXT VERTICAL POST. GRIND SMOOTH AND APPLY COATING SYSTEM.

60S-01 PLAN CODED NOTES

- 1 (E) UV BASIN WALL
- 2 (E) CHANNEL WALL
- 3 (E) CONCRETE SLAB
- 4 (E) CONCRETE POST AND GUIDES
- 5 REMOVE CONC (E) POST AND GUIDES
- 6 SAWCUT AND REMOVE (E) WALL. ROUGHEN END OF WALL TO 1/4, MIN. AMPLITUDE
- 7 SAWCUT AND REMOVE (E) WEIR TO ELEVATION 576.11'
- 8 SAWCUT AND REMOVE TOP 8" OF (E) UV BASIN WALL FOR STRUCTURAL SLAB BEARING.
- 9 REMOVE EXISTING GUARDRAIL. FIELD TO VERIFY AND COORDINATE WITH CONSTRUCTION DOCUMENTS.

PRELIMINARY

SHEET ISSUED: 01/09/24



NO	REVISION	DATE
0	REVISED NOTES & DETAILS	08/23/24

ISSUED FOR:	ISSUE DATE:	SCALE:	DESIGNED BY:	DRAWN BY:	CHECKED BY:

WWTP NFA IMPROVEMENTS CITY OF CONNEAUT	1206 BROAD STREET, CONNEAUT, OHIO 44030
UV DISINFECTION BASIN DEMO - 60 SERIES	

PROJECT NO.	231837
DISCIPLINE	STRUCTURAL
SHEET NAME	60S-01
SHEET	OF
	165