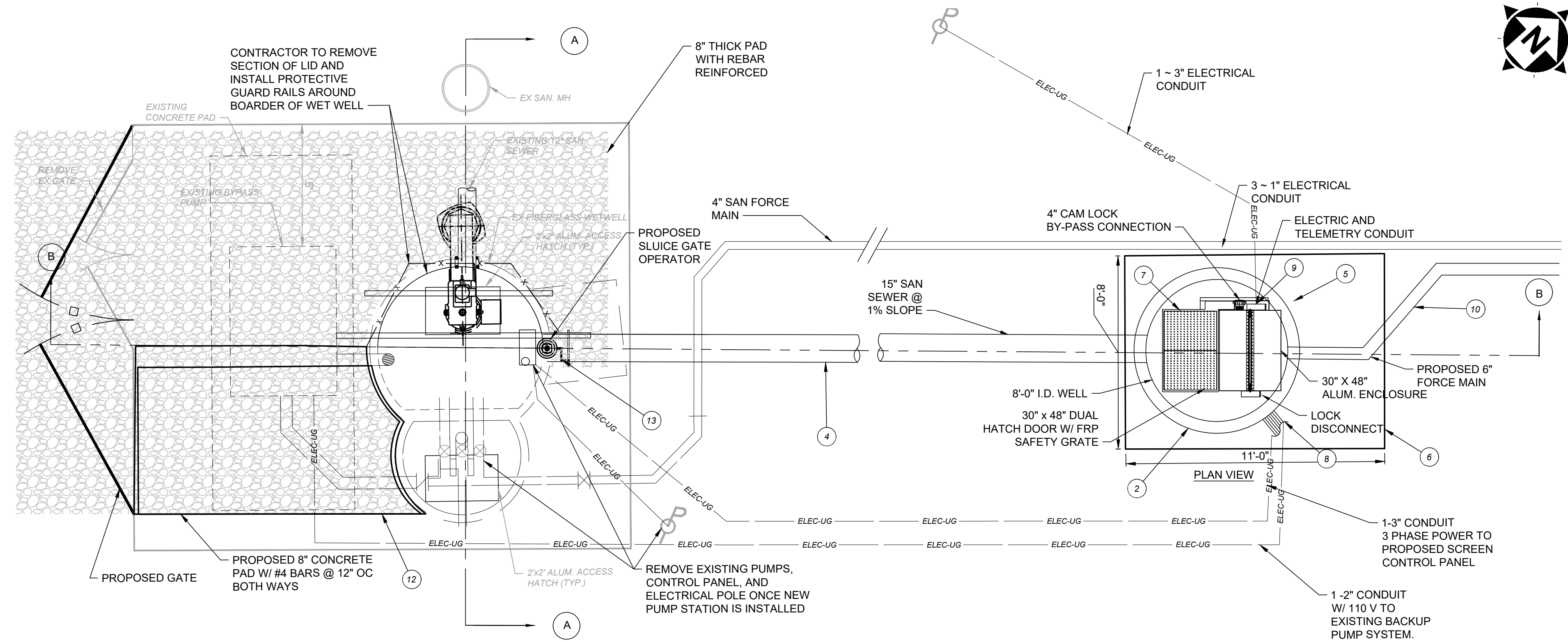




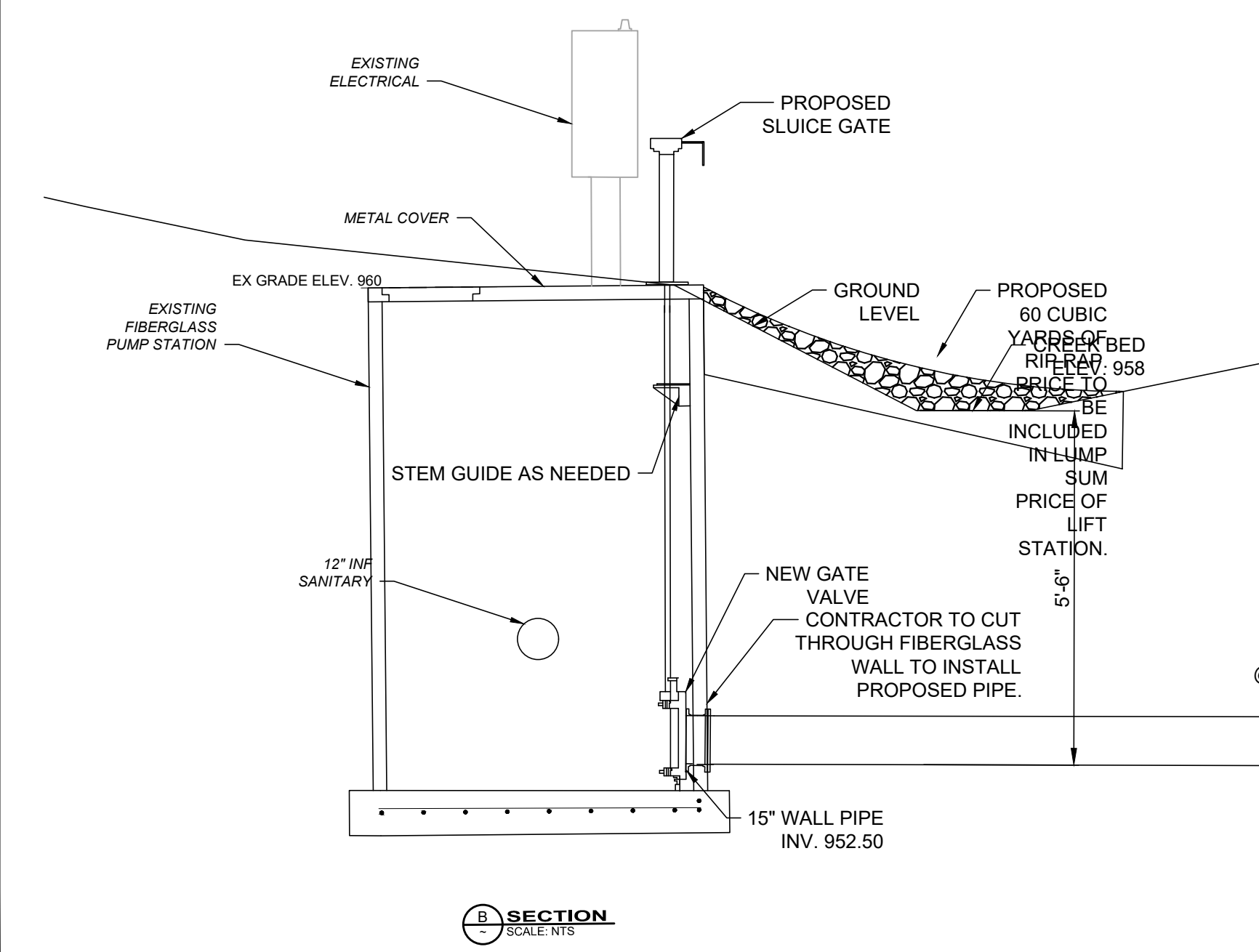
**WINCHESTER PUMP STATION SITE PLAN**  
SCALE: 1" = 20'



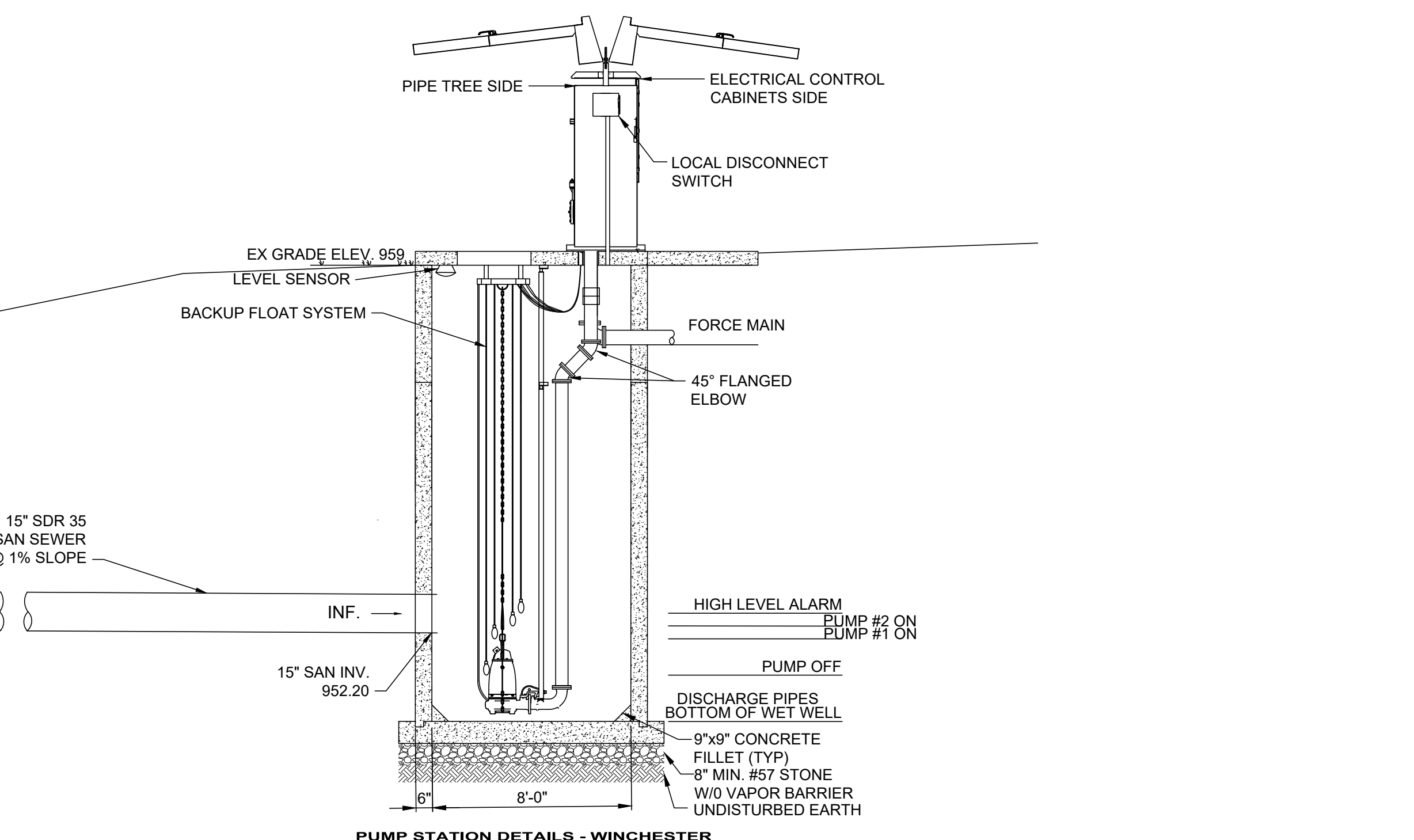
**CONSTRUCTION NOTES:**

- CONTRACTOR TO MAINTAIN THE OPERATION OF THE EXISTING PUMP STATION UNTIL THE NEW PUMP STATION IS OPERATIONAL. CONTRACTOR MAY USE THE EXISTING DIESEL POWERED BYPASS PUMP TO MAINTAIN OPERATION AS APPROVED BY THE VILLAGE OF WINCHESTER. THE COST OF THE DIESEL FUEL WILL BE PAID BY THE CONTRACTOR.
- CONTRACTOR TO EXCAVATE AND INSTALL THE NEW PUMP STATION WET WELL AS PER THE ELEVATIONS AND DETAILS SHOWN ON SHEET 37. ANY EXCESS EXCAVATED MATERIAL SHALL BE THE RESPONSIBILITY OF THE CONTRACTOR TO DISPOSE OF OFFSITE.
- CONTRACTOR SHALL INSTALL AND CONNECT THE NEW 15 INCH SANITARY SEWER LINE TO THE WET WELL OF THE NEW PUMP STATION.
- CONTRACTOR TO BACKFILL AND COMPACT AROUND THE WET WELL WITH NO. 57 STONE.
- CONTRACTOR TO INSTALL A PRECAST CONCRETE TOP ON THE NEW PUMP STATION TO THE DIMENSIONS SHOWN ON THE PLAN SHEET.
- CONTRACTOR SHALL INSTALL ALL MECHANICAL PORTIONS OF THE PUMP STATION AS PER THE SPECIFICATION PROVIDED IN THE BID BOOK.
- THE MAIN INCOMING ELECTRICAL POWER FROM THE UTILITY COMPANY SHALL BE PAID BY THE CONTRACTOR TO THE UTILITY COMPANY THROUGH A LINE ITEM ALLOWANCE LISTED IN THE BID DOCUMENTS. THIS ALLOWANCE WILL INCLUDE ALL WORK FROM THE POWER COMPANY MAIN POLE TO THE ELECTRIC METER SHOWN ON SHEET 39.
- CONTRACTOR SHALL BE RESPONSIBLE TO INSTALL THE ELECTRIC SERVICE TO THE NEW PUMP STATION AS SHOWN ON SHEET 40 OF THESE PLANS.
- CONTRACTOR TO INSTALL A NEW 6 INCH HDPE 11 FORCE MAIN FROM THE NEW PUMP STATION TO THE EXISTING MANHOLE IN THE STREET. THE EXISTING 4 INCH FORCE MAIN IS TO REMAIN.
- INSTALL A STONE ENTRANCE DRIVE TO THE ELEVATIONS AND DIMENSIONS SHOWN ON THE DRAWING. THE DRIVE SHALL BE CONSTRUCTED WITH A BASE OF 6 INCHES OF NO. 2 STONE AND TOPPED WITH 6 INCHES OF NO. 304 STONE.
- CONTRACTOR TO INSTALL A 6 INCH THICK CONCRETE SLAB (4000 PSI) AROUND THE EXISTING PUMP STATION TO THE DIMENSIONS SHOWN ON THE DRAWINGS. THE CONCRETE SLAB SHALL INCLUDE NO. 4 REINFORCING STEEL BARS AT 12 INCHES ON CENTER IN BOTH DIRECTIONS. THE SLAB SHALL BE POURED ON 6 INCHES OF NO. 304 STONE.
- CONTRACTOR SHALL INSTALL A NEW (MANUFACTURER) SLUICE GATE IN THE EXISTING WET WELL PUMP STATION ON THE NEW 15 INCH SANITARY SEWER.
- CONTRACTOR TO GRADE THE SITE AS SHOWN ON THE DRAWINGS. CONTRACTOR SHALL INSTALL A MINIMUM OF 6 INCHES OF QUALITY TOPSOIL TO ALL DISTURBED AREAS. CONTRACTOR SHALL FINISH GRADE, SEED, AND

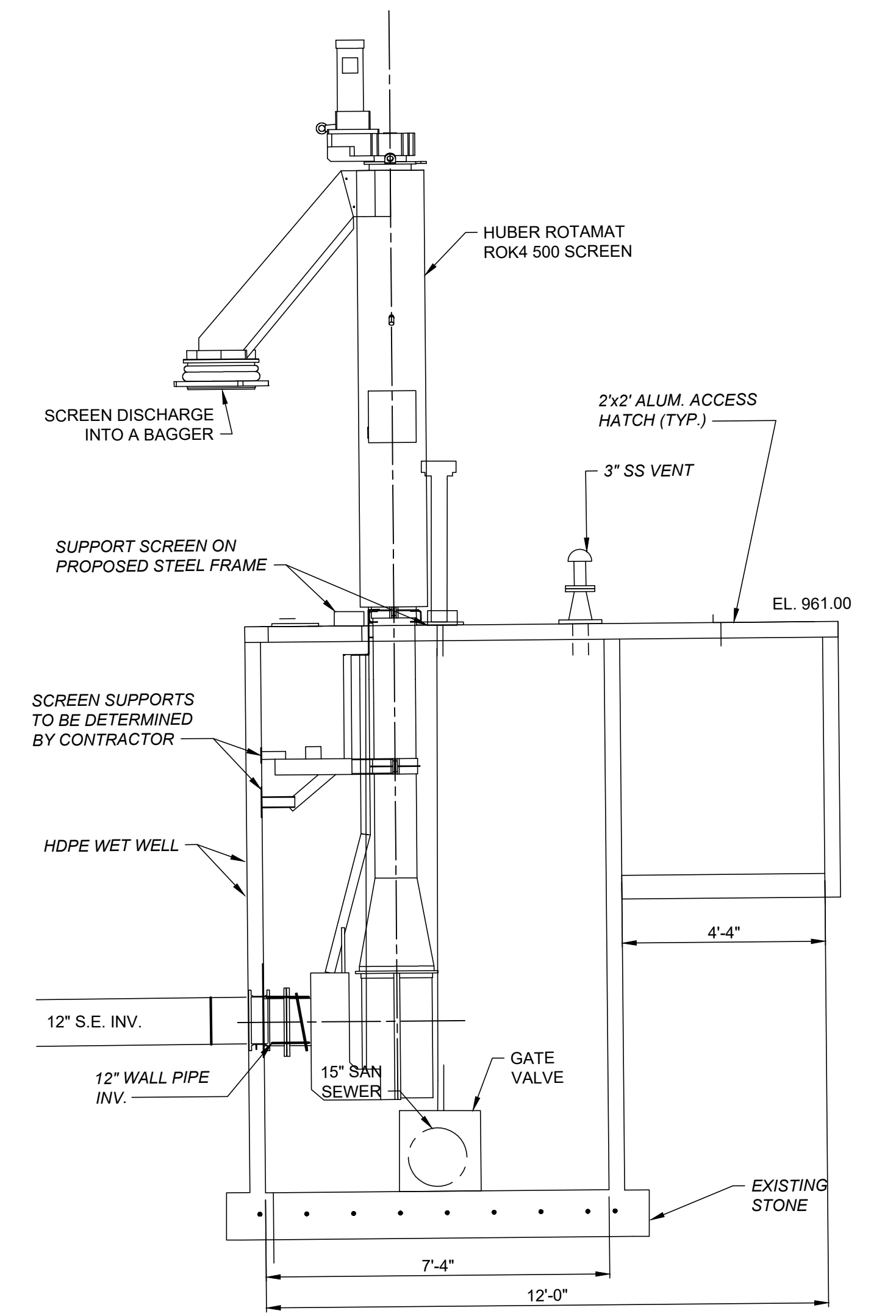
**PUMP STATION - WINCHESTER**  
NOT TO SCALE



**SECTION A**  
SCALE: 1/2" = 1'-0"



**PUMP STATION DETAILS - WINCHESTER**  
NOT TO SCALE



**SECTION C**  
SCALE: 1/2" = 1'-0"



| NO. | REVISION       | DATE      |
|-----|----------------|-----------|
| 1   | ADDENDUM NO. 1 | 7/10/2024 |

| ISSUED FOR: | ISSUE DATE: | SCALE: | DESIGNED BY: | DRAWN BY: | CHECKED BY: |
|-------------|-------------|--------|--------------|-----------|-------------|
| AS SHOWN    | JULY 2024   | JR     | JR           | KERY      |             |

**PUMP STATION & SANITARY SEWER**  
CHERRY FORK, OH - ADAMS COUNTY, OHIO

**PUMP STATION DETAILS**

|             |                 |
|-------------|-----------------|
| PROJECT NO. | 220432          |
| DISCIPLINE  | CIVIL           |
| SHEET NAME  | PS - WINCHESTER |
| SHEET       | OF              |
| 38A         | 43              |