

To: All Plan Holders of Record

From: CT Consultants, Inc.  
For the Owner

**Re: Addendum No. 2**  
**South Interceptor Equalization Improvements**  
**City of North Olmsted, Ohio**

Date: October 18, 2024

This Addendum forms a part of the contract documents and modifies the original bidding documents dated October 2024 and all previous addenda, if any. Acknowledge receipt of this addendum in the space provided in the bid forms. Failure to do so may subject the bidder to disqualification.

### **PRE-BID CONFERENCE**

Attached is the Pre-bid Conference Sign-In Sheet.

### **BID OPENING DATE**

The date of receiving and opening bids shall be changed from October 31, 2024, to November 7, 2024. The time and place shall remain the same.

### **PLANS**

Sheet 33 of 53 – In Section A-A for the Pump Station; **REMOVE** the following text “BOTTOM EL. 653.7” and **REPLACE** it with “BOTTOM EL. 753.7”.

### **SPECIFICATIONS**

Specification 01 11 00 – Summary Of Work, Article 1.3

– **ADD** the following paragraph to Article:

**B. Project Milestones:**

1. All trees with a 3” and larger caliper will be felled before March 31, 2025, and will comply with the following requirements:
  - a. Trees located within the Upland areas can be felled and cleared by any Means and Methods deemed appropriate by the Contractor.
  - b. Trees located within Upland areas and outside the designated Limits of Disturbance will only be felled and cleared with prior approval from the Owner and/or Engineer.

- c. Trees located within the Wetland areas will only be felled by hand (i.e. chainsaw). No heavy equipment is allowed within the Wetland areas located within the project Limits of Disturbance until all appropriate regulatory permits have been issued. This includes, at a minimum, the pending 404 and 401 permits from USACE and OEPA.
- d. Trees located within the identified Wetland areas and outside the designated Limits of Disturbance will NOT be felled or cleared for any reason. Additionally, heavy equipment will NOT be allowed within these areas.

Specification 11 09 23 – Underground HDPE Storage Tank, Article 3.3

- **DELETE** paragraph “C.” from this Specification.

Specification 43 00 00 – Submersible Wastewater Pumps For Duplex Wetwell Installation, Article 1.5, Paragraph A

- **REMOVE** Item “e.” and **REPLACE** it with the following:

- “e. Barnes
- f. Approved equivalent”

**QUESTIONS**

1. What is the cut off date for pre-bid questions? **ANSWER** Bid opening is currently scheduled for 2:00 on Thursday 11-7 Last addenda has to be out by 2:00 on Monday 11-4 and cut off for pre-bid questions is noon Friday 11-1. All questions must be submitted by email.
2. Please provide storm water sewer profiles. **ANSWER** We will provide in the Conformance set of plans as needed.
3. Is the SWPP as shown on sheet 22/53 temporary or permanent? This SWP is not shown on the final grading plan. **ANSWER** This is permanent. The pond will be added to sheets 10 and 15 in the Conformance plan set.
4. Please provide plan details and specifications for the PEMB. **ANSWER** It’s not a PEMB, this is Pre-Cast Concrete Building. A technical specification will be included in Addendum 3.
5. Specification 40 95 00 calls out a preferred integrator ‘Status, Control and Integration Inc.’, this company is not aware of the project and not bidding, was this a typo/copy paste error? Please provide another preferred integrator if applicable. **ANSWER** This is a typo, and should reference Systems Group Technologies, LLC. Point of contact is Mike Yammine, [myammine@systemsgrouptech.com](mailto:myammine@systemsgrouptech.com), 419-788-1390.

6. Will the existing 30" South Interceptor need flow management/control? If so, please provide flow data on the 30" South Interceptor and frequency of wet weather events. **ANSWER.** The pipeline low flow runs between 12"-15". The connection is a Doghouse MH per detail sheet 39.
7. Do the electrical and communications duct banks need concrete encased? **ANSWER** Yes.
8. Please provide details on the concrete lot shown on 15/53. **ANSWER** Concrete pavement detail is on page 39.
9. Please provide the subbase thickness for the asphalt pavement. **ANSWER** 6" of ODOT 304 limestone shall be required for the subbase.
10. Is the intent to have all excess excavated materials to be hauled off and disposed of by the contractor or can they remain onsite within the stockpile locations? **ANSWER** Excess soil can remain on-site but needs to be maintained within Pile Area 5 and 6 with maximum side slopes of 2 H:1V.
11. Please provide the pre-negotiated agreement between the owner and Infrapipe Weholite which details the scope of services, terms and conditions, price of \$2,573,000.00, etc. **ANSWER** This is an estimate of the current Weholite price for the labor and material associated with the following Materials and Scope of Services:

Weholite Materials and Services

Thirteen-Barrel 132" ID Manifold 1.5MG Storage System

- Two (2) Twin Barrel End Manifolds with MH Stub
- One (1) Single Barrel End Manifold
- Three (3) Twin Barrel Intermediate Manifolds with Outlet Stub
- One (1) Twin Barrel Intermediate Manifold
- Thirteen (13) 37.25' Long End Sections with Bulkhead and 8" Stub
- Thirty-Nine (39) 37.25' Long Straight Barrel

Field Services

- Sixty Five (65) ID Extrusion Welds, Two (2) Welds/Day, Thirty-three (33) Days
- ID HDPE Extrusion Weld by Infra

Shipping

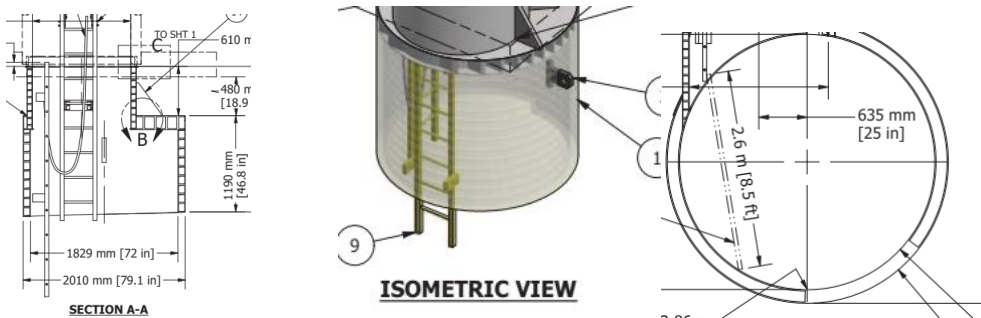
- Huntsville, ON to North Olmstead, OH
  - 2 x Load 30' Long x 13.0' Wide x 12.5' High
  - 8 x Load 30' Long x 13.0' Wide x 12.0' High
  - 52 x Load 37.25' Long x 12.0' Wide/High
  - 2 x Load 21' Long x 12.0' Wide x 12.0' High
  - 1 x Load 10' Long x 12.0' Wide x 12.0' High
  - 1 x Standard Load

Engineering

- Signed and Sealed Structural Drawings
- Ohio Structural Prof. Eng.

The Contractor shall contact Infrapipe Weholite directly for further details. Also refer to the Basis of Payment, page BD.10 of the Contract Documents.

12. Dwg 20D-01 What DR is the 10” pipe stub from the tank risers to overflow MH and PS connections? **ANSWER** Per tank manufacturer.
13. What does the 16” drain piping at South end of tanks connect to? **ANSWER** The tank drain control gate chamber.
14. Dwg 20D-01 & 02 Can the MH Risers on the tanks be centered on the manifolds and moved slightly away from manifold fabrication stubs? **ANSWER** Such modifications noted below are acceptable and will be illustrated in the Conformance plans.
- i. Centered for safety reasons for personnel descending the ladder. As depicted on 20D-02 a person would be stepping off the ladder directly onto the curvature of the slippery pipe. Recommend centering and using a retractable ladder from obvert of pipe down to invert. See screen shot below example of retractable ladder used on another 132” tank project. They could not center the riser but at least the retractable ladder could reach more toward the invert of the pipe and dismounting the ladder on less of the pipe curvature. Being able to center the riser eliminates dismounting the ladder on the pipe curvature altogether
  - ii. Away from manifold fabrication stubs and re-enforcements for ease of fabrication



16. With regard to the odor control equipment, the design calls for an on/off switch at the building, but also calls for NEMA 7 motor starter. Please clarify. **ANSWER** The plans

Addendum No. 2

Date: October 18, 2024

Page 5

show odor control fan motor starter controlled by SCADA, with an HOA at the motor control center (MCC1), and a local LOR at the odor control fan itself.

17. Referencing Specification Section 01 78 70; is there a minimum number of Contractor employees/representatives required to be on-site during the continuous 30-day period for Operation Demonstration? **ANSWER** No, there is no minimum requirement.
18. Referencing Specification 11 09 23; Please confirm that all field welds are Dual ID and tested per Dwg 36/53? **ANSWER** Yes, this is the correct detail for this specification requirement.
19. Referencing Specification 11 09 23; Please confirm that Infiltration / Exfiltration testing will be required in addition to Dual ID Weld Tests. If confirmed, can the contractor utilize the proposed waterline/hydrants to fill the tank and who will pay the cost for the water consumption? **ANSWER** Only the Dual ID Weld Testing is required for the Storage System. Section 3.3 has been revised as part of this Addendum.
20. There does not seem to be enough geotechnical information in the new pipe array site. Is there any rock? **ANSWER** The soil borings indicate sandstone will be encountered around elevation 757. The pipe array was designed to reside above this elevation. The two pump station wet wells will penetrate the rock below this elevation and rock excavation may be anticipated for their installation. Additional payment will be made through negotiations should any substantive rock be encountered elsewhere, above elevation 757. Groundwater and soil types represented by borings B5 and B7 may be anticipated for the pipe array installation. However, please note the extents of the wetlands in the project area, which can lead to seasonal fluctuations in groundwater levels.
21. Please confirm responsibilities for field testing requirements? **ANSWER** Refer to Specification Section 01 33 19, specifically Articles 1.3 and 1.9.

EF:mep

Enclosures

H:\2021\210888\SPEC - NEW BID - Oct '24\Addenda\Addendum 02\Addendum 02.Doc

# SIGN-IN SHEET

PROJECT NAME & JOB NUMBER: North Olmsted Rebid – Addendum 2 – Project Number 210888

DATE: October 18, 2024

NAME	COMPANY (REPRESENTING)	PHONE#	EMAIL ADDRESS
Mark Lister	Infrapipe	416-882-6751	<a href="mailto:Mark.lister@infrapip.com">Mark.lister@infrapip.com</a>
Jesse Petrona	Triad	440-786-1000	<a href="mailto:jesse.petrona@triad-engineering.com">jesse.petrona@triad-engineering.com</a>
Philip Kassouf	Triad	440-786-1000	<a href="mailto:philk@triad-engineering.com">philk@triad-engineering.com</a>
Ricky Chipka	Triad	440-786-1000	<a href="mailto:rchipka@triad-engineering.com">rchipka@triad-engineering.com</a>
Jayesh Dharia	Nerone & Sons	216-662-2235	<a href="mailto:jayesh@nerone.biz">jayesh@nerone.biz</a>
Zach Basso	Great Lakes Construction	216-210-0117	<a href="mailto:zbasso@greatlakesway.com">zbasso@greatlakesway.com</a>
Terry Vodicka	Independence Excavating	216-832-6035	<a href="mailto:tvodicka@indexc.com">tvodicka@indexc.com</a>
Mike Yammine	Systems Group Tech	419-788-1390	<a href="mailto:myammine@systemsgrouptech.com">myammine@systemsgrouptech.com</a>
Jonathan Chumat	Lake Erie Electric	440-799-2438	<a href="mailto:jchumat@lakeerieelectric.com">jchumat@lakeerieelectric.com</a>
JJ Pinalto	CT Consultants, Inc.	216-430-8505	<a href="mailto:James.pinalto@ctconsultants.com">James.pinalto@ctconsultants.com</a>
John Sidol	WW Williams	440-384-2471	<a href="mailto:jsidol@wwwilliams.com">jsidol@wwwilliams.com</a>

Brian Blum	North Olmsted WWTP	440-477-1881	<a href="mailto:blumb@north-olmsted.com">blumb@north-olmsted.com</a>
Joe Auner	North Olmsted WWTP	440-477-1881	<a href="mailto:aunerj@north-olmsted.com">aunerj@north-olmsted.com</a>
Tom Voldrich	CT Consultants, Inc.	440-530-2222	<a href="mailto:TVoldrich@ctconsultants.com">TVoldrich@ctconsultants.com</a>

H:\2021\210888\SPEC - NEW BID - Oct '24\Addenda\Addendum 02\2410\_Sign\_In\_Sheet.Docx