



To: All Plan Holders of Record

From: CT Consultants, Inc.
For the Owner

Re: Addendum No. 2
WWTP Improvements - REBID
City of Sunbury

Date: December 3, 2024

This Addendum forms a part of the contract documents and modifies the original bidding documents dated November 2024 and all previous addenda, if any. Acknowledge receipt of this addendum in the space provided in the bid forms. Failure to do so may subject the bidder to disqualification.

OPINION OF PROBABLE CONSTRUCTION COST

Revise the Opinion of Probable Construction Cost (OPCC) to \$ 27,000,000.00.

COMPLETION DATE:

Revise the Completion Date to 1,000 DAYS FROM NOTICE TO PROCEED

PLANS

Replace Drawing Sheet 10E-01 INFLUENT PUMP STATION with the attached.

MS/BR:br

Enclosures

H:\2021\21000706\SPEC\Rebid - Nov 24\Addenda\Addendum 02\Addendum 02.Doc

The Bidder hereby acknowledges that they have reviewed the following addenda:

Addendum No. _____

Date: _____

The undersigned, having full knowledge of the plans and specifications for the improvements and the conditions of the Proposal hereby agree to furnish all the services, labor, materials, and equipment necessary to complete the work according to the plans and specifications and to accept as full compensation the lump sum or the unit prices specified serving as deduct or extra compensation rates.

And We (or I) do hereby agree that in the event of failure on OUR part to contract as aforesaid (provided this Proposal is accepted) the Bid Bond, Check or Letter of Credit accompanying this Proposal shall be forfeited to the Owner as liquidated damages for the difference between this bid and the awarded Contract price, not to exceed the amount of bond. We further agree that the Owner may reject any or all bids.

By signature below, I hereby certify that **I AND MY Insurance Agent have examined the insurance requirements** in the specifications and that the types and amounts of same are currently in effect or will be obtained and kept in effect for the project duration and that my Insurance Agent has assured that notification of non-renewal, policy modification, and/or cancellation to all certificate holders will occur per the contract requirements. Verification will be provided to the Owner subsequent to the issuance of a Notice of Award.

Submitted by,

Firm, Corporation, or Individual

Officer's Name and Title (typed)

Telephone Number

Street Address

Officer's Signature

Fax Number

City, State, Zip Code

Date

E-Mail Address

Unique Entity Identifier Number (UEI) SAM.gov

Ohio Secretary of State ID Number

Federal Tax ID Number

Note: Evidence of authority to sign must be affixed and attested by the Secretary.

COMPLETION DATE: 1,000 Days from Notice to Proceed

LIQUIDATED DAMAGES: \$1,500.00 PER DAY

BF.13A-RB

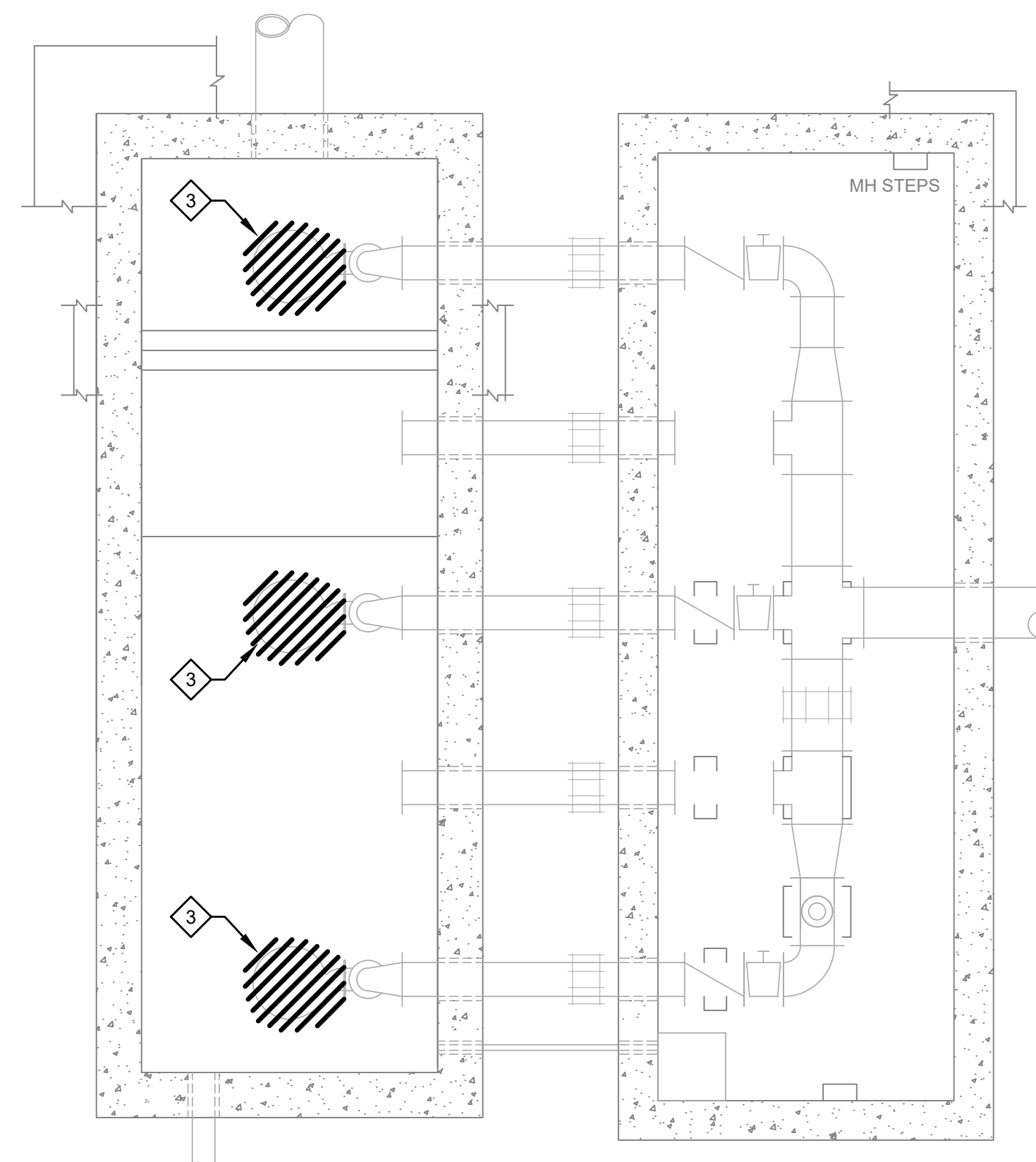


06/21/2024



ISSUED FOR:		REVISIONS	
BID	FOR REVIEW	REV	DATE
		1	06/21/2024
		2	10/14/2024
		3	12/03/2024

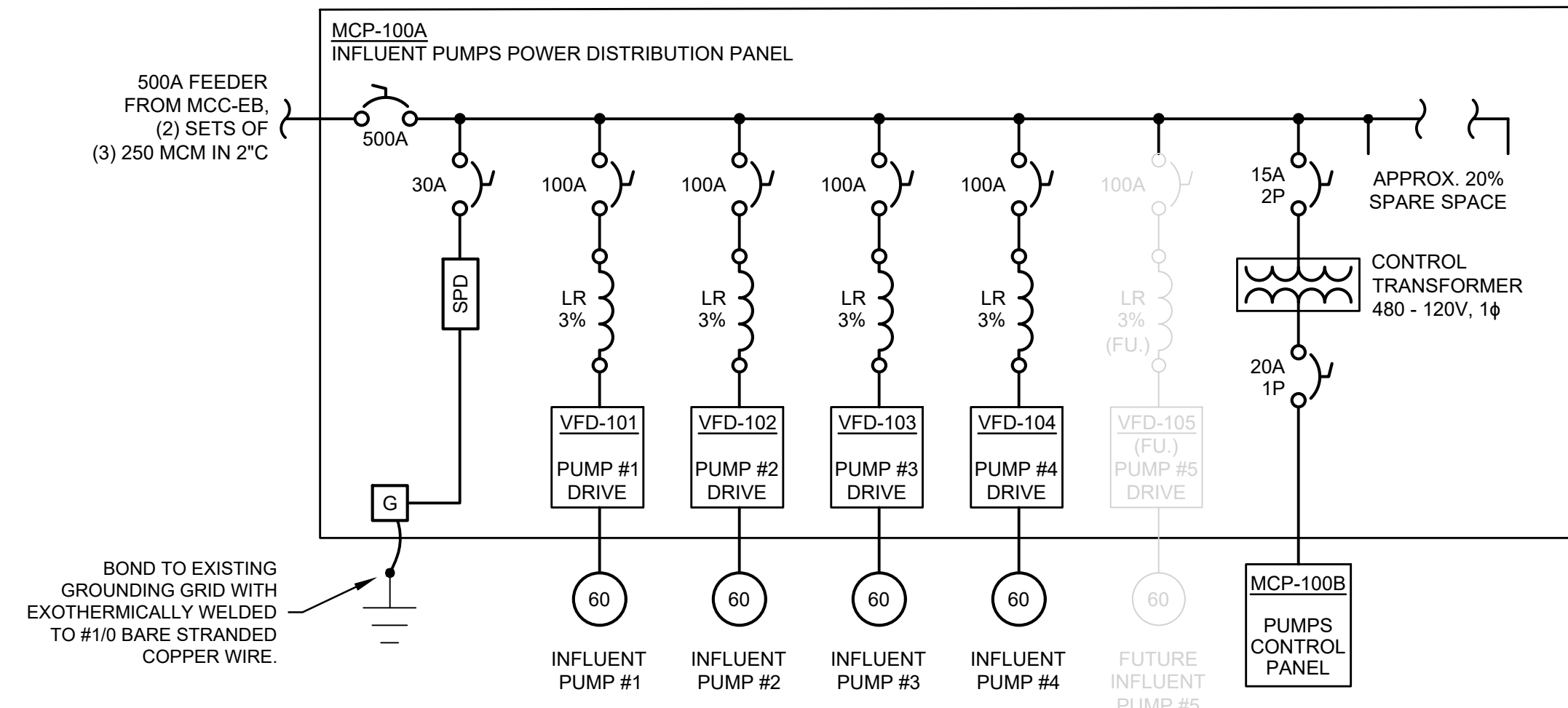
ISSUED FOR:	SCALE:	DESIGNED BY:	DRAWN BY:	CHECKED BY:
BID	AS NOTED	MG	MG	TGP



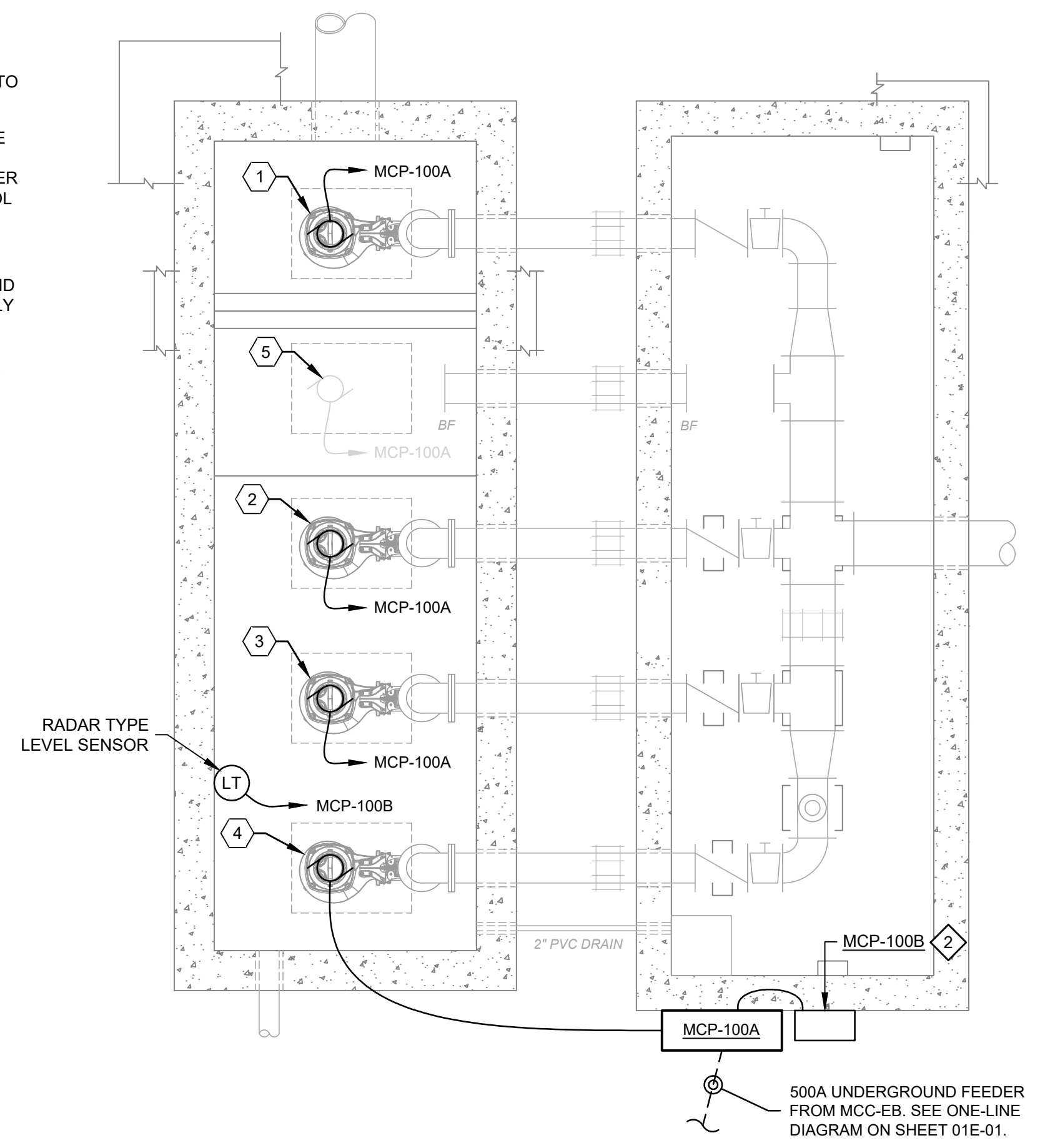
INFLUENT PUMP STATION DEMOLITION PLAN
SCALE: 1/4" = 1'-0"

CODED NOTES:

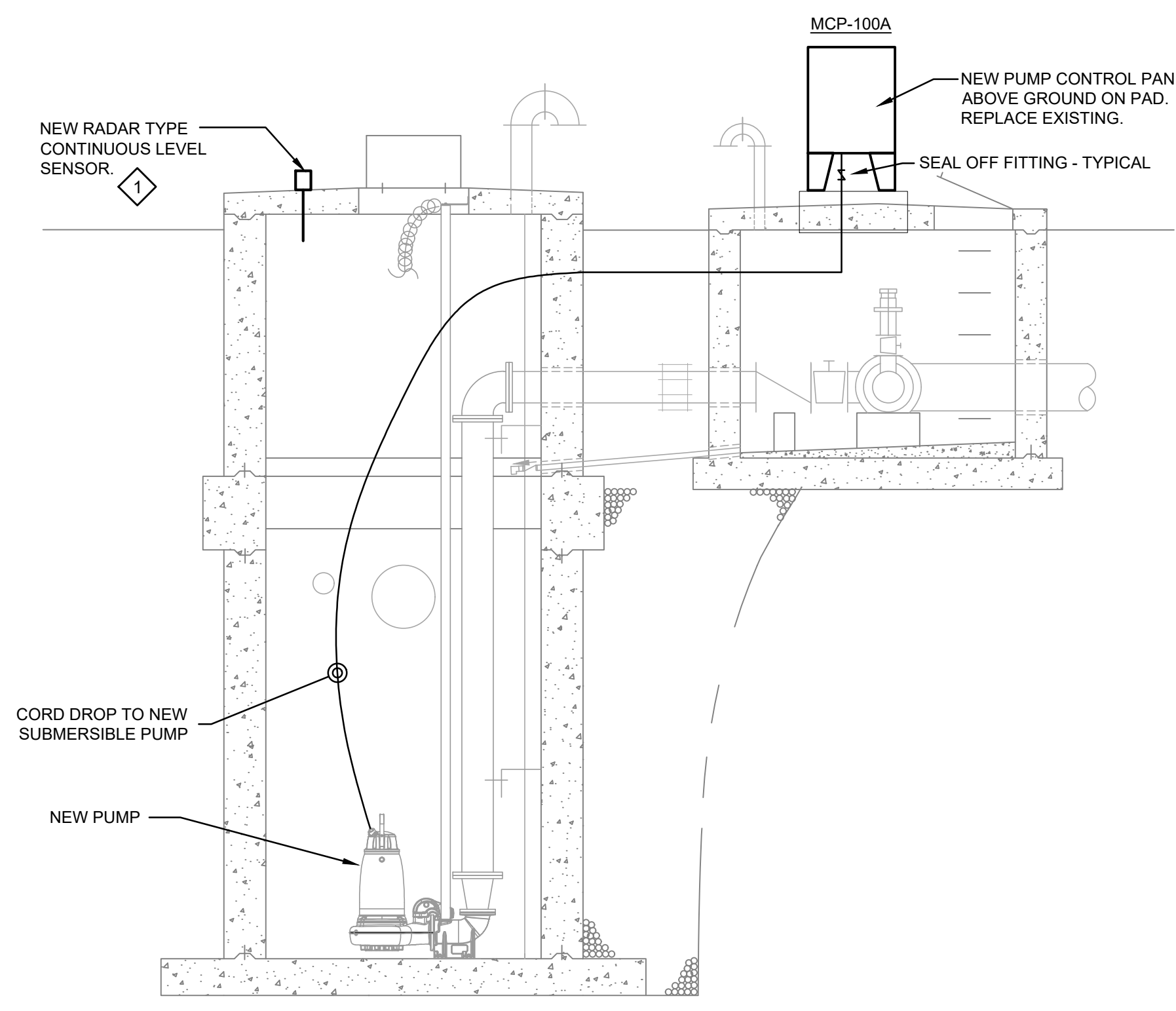
- REPLACE EXISTING FLOATS WITH NEW RADAR TYPE LEVEL SENSORS. INSTALL 4-20 MA SIGNAL CABLE IN 3/4" CONDUIT BACK TO NEW PUMP CONTROL PANEL.
- REPLACE EXISTING PUMP CONTROL PANEL WITH NEW VENDOR-SUPPLIED UNIT. WIRE CONTROLS TO NEW VFDS IN MCP-100A.
- DISCONNECT & DEMOLISH WIRING FOR EXISTING INFLUENT SUBMERSIBLE PUMPS. INSTALL NEW CORDS AND STRAIN RELIEF TO NEW PUMPS. SEE WIRING SCHEDULE THIS SHEET.
- NEW PUMP POWER DISTRIBUTION PANEL "MCP-100A" PER ONE-LINE DIAGRAM ON THIS SHEET, INSTALL ON NEW CONCRETE SLAB WITH PENETRATIONS FOR NEW PUMP LOADS, UPGRADE EXISTING FEEDER FROM MCC-EB TO 500A AND FEED 120VAC TO NEW PUMPS CONTROL PANEL "MCP-100B". INTERNAL EQUIPMENT TO INCLUDE:
 - 500A MAIN CIRCUIT BREAKER W/ EXTERNALLY LOCKABLE DISCONNECT
 - (4) VFDS, 480V / 3 ϕ / 60 Hz / 60 HP WITH 3% LINE REACTORS AND APPROPRIATELY SIZED CIRCUIT BREAKERS WITH EXTERNALLY ACCESSIBLE DISCONNECT HANDLES
 - CONTROL TRANSFORMER SIZED AND OVERCURRENT-PROTECTED TO PROVED MCP-100B WITH 20A OF 120VAC.
 - NEMA 4X ENCLOSURE



INFLUENT PUMP STATION POWER DISTRIBUTION DIAGRAM



INFLUENT PUMP STATION ELECTRICAL PLAN
SCALE: 1/4" = 1'-0"



INFLUENT PUMP STATION SECTION ELECTRICAL PLAN
SCALE: 1/4" = 1'-0"

INFLUENT PUMPS WIRING SCHEDULE													
ITEM NO.	EQUIPMENT	HP	KW	MCA	FLA	VOLTS	ϕ	CONNECTION BY EC	PANEL / CKT.NO.	CIRC BKR		WIRING AND CONDUIT	NOTES
										AMPS	POLES		
1	INFLUENT SUBMERSIBLE PUMP	60	64	-	77	480	3	VFD (100A)	PUMP CONTROL PANEL	100	3	3-2 AWG & 1-8 AWG GND - 1 1/4" C.	1
2	INFLUENT SUBMERSIBLE PUMP	60	64	-	77	480	3	VFD (100A)	PUMP CONTROL PANEL	100	3	3-2 AWG & 1-8 AWG GND - 1 1/4" C.	1
3	INFLUENT SUBMERSIBLE PUMP	60	64	-	77	480	3	VFD (100A)	PUMP CONTROL PANEL	100	3	3-2 AWG & 1-8 AWG GND - 1 1/4" C.	1
4	INFLUENT SUBMERSIBLE PUMP	60	64	-	77	480	3	VFD (100A)	PUMP CONTROL PANEL	100	3	3-2 AWG & 1-8 AWG GND - 1 1/4" C.	1
5	FUTURE SUBMERSIBLE PUMP	60	64	-	77	480	3	VFD (100A)	PUMP CONTROL PANEL	100	3	3-2 AWG & 1-8 AWG GND - 1 1/4" C.	1

SCHEDULE NOTES

- REPLACE EXISTING 40 HP SUBMERSIBLE PUMP WITH NEW 60 HP INFLUENT SUBMERSIBLE PUMP. INSTALL WIRING TO NEW PUMP CONTROL PANEL AND PROVIDE VFD STARTERS AND DISCONNECTS. INSTALL NEW CORD, RAILS AND STRAIN RELIEF FITTINGS. SEE DETAIL THIS DRAWING.

ENTIRE SHEET REPLACED.

CITY OF SUNBURY WASTEWATER TREATMENT IMPROVEMENTS
DELAWARE COUNTY, OHIO
ELECTRICAL - E SERIES
INFLUENT PUMP STATION ELECTRICAL PLAN

PROJECT NO.	21000706
DISCIPLINE	ELECTRICAL
SHEET NAME	10E-01
SHEET	161
OF	179

33851 Curtis Blvd., 216
Eastlake, OH 44095
1.440.953.8760
1.440.953.1289
www.tecinceng.com



cleveland | columbus | pittsburgh