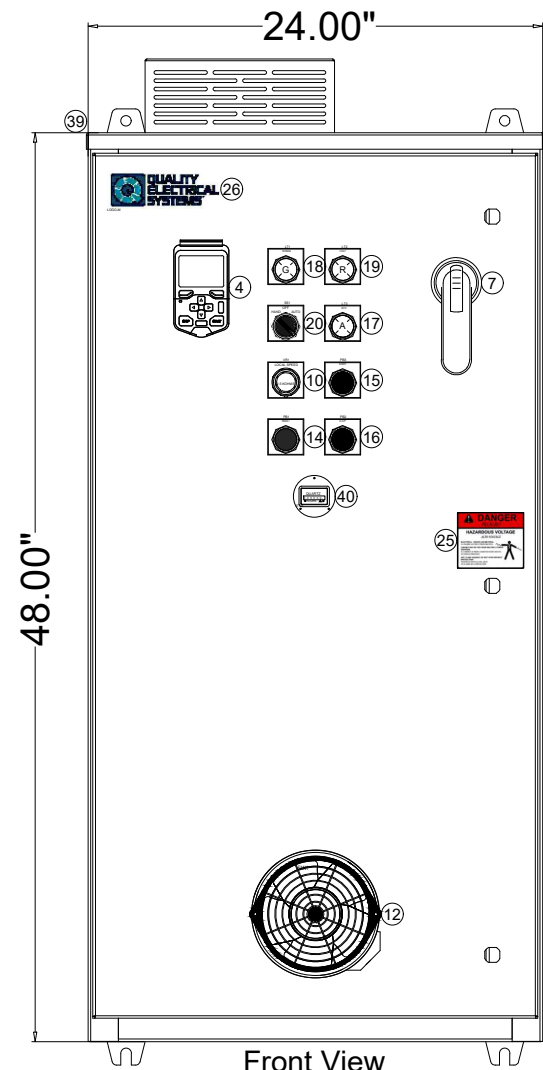
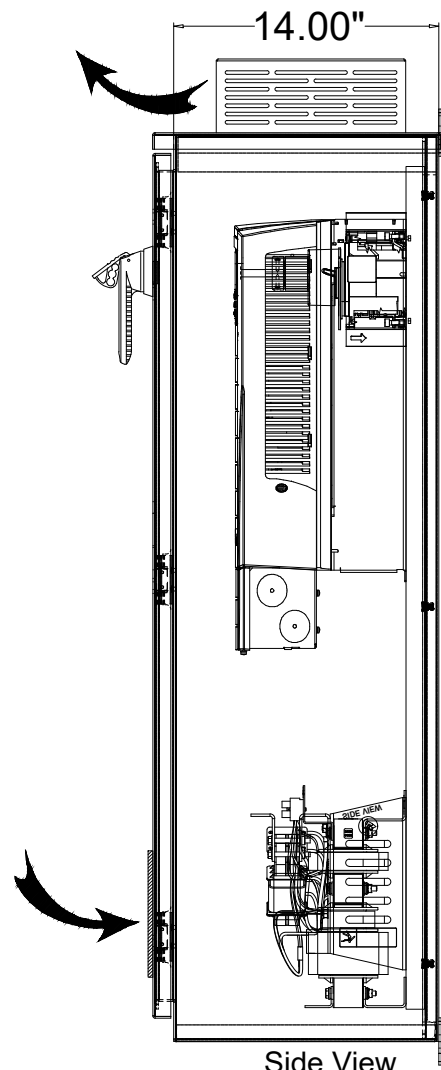


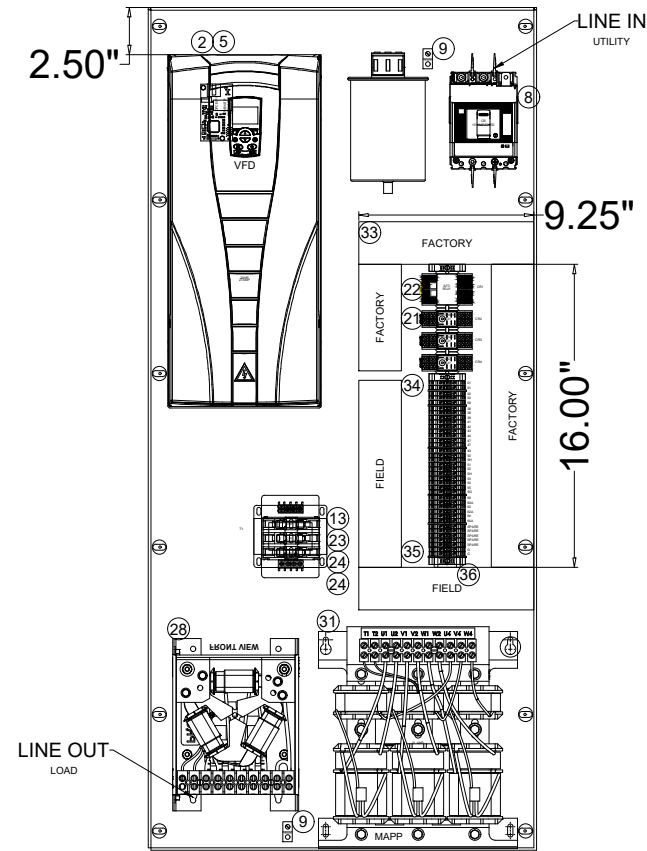
PLOT TIME: 1/12/2022 6:15 PM Z:\EPPI\001985\WHEELING WWTP VFD'S (S132451033)\Drawings\Drawings CAD\EPPI_001985-15HP_P1.dwg SAVE TIME: 1/12/2022 6:11 PM



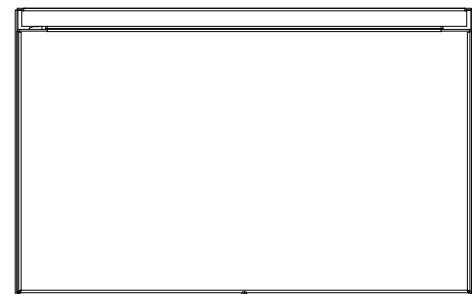
Front View
EXTERIOR



Side View
SOME COMPONENTS NOT SHOWN
TRANSPARENT WALLS



Panel View
CONCEPT MAY DIFFER FROM AS BUILT
INTERIOR

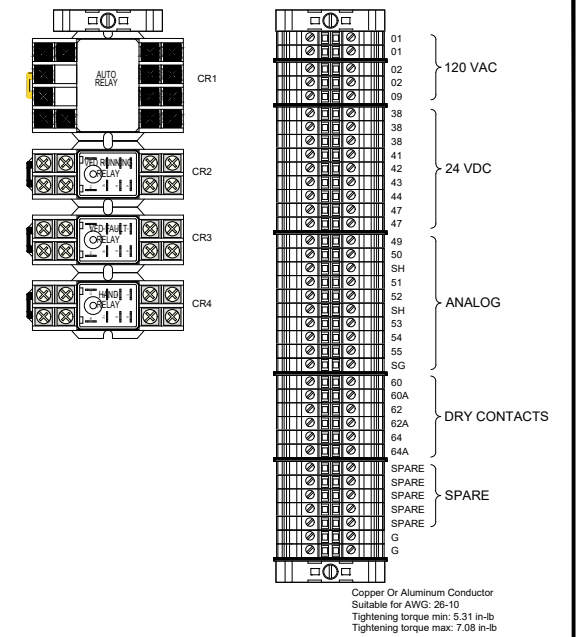


Bottom View
EXTERIOR

DIGESTED SLUDGE PUMPS MCC-4N SHEETS 45,47

Terminal Strip Details

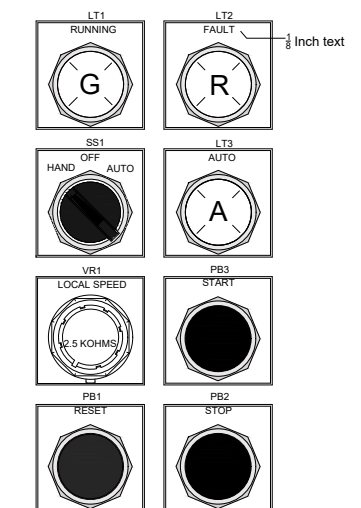
FOR ASSEMBLY REFERENCE (NTS)
SOME LABELS OR LOCATIONS MAY CHANGE



Nameplate Details

WHITE TEXT ON BLACK BACKGROUND (NTS)

PANEL NAMEPLATE SCHEDULE		
WO#	LINE 1	LINE 2
TBD	DIGESTED SLUDGE PUMP P-23	15HP VFD
TBD	DIGESTED SLUDGE PUMP P-25	15HP VFD



TYPICAL FOR:
DIGESTED SLUDGE PUMP P-11
DIGESTED SLUDGE PUMP P-12

UL LISTED 508A
NEMA TYPE 1G ENCLOSURE
ANSI 61 GRAY POWDERCOAT
14 GA COLD ROLLED STEEL
EST. WEIGHT - 250 LBS
PANEL FLA - 28.2 AMP
SCCR - 65 KAIC

REV. No.	DATE	REVISION DESCRIPTION
A	1/12/2022	INITIAL SUBMITTAL



6500 S. Airport Rd.
West Jordan, UTAH 84084
(801) 566-7200
FAX (801) 255-0835
www.qualityelectricalsystems.net

PROJECT NAME / ADDRESS
WHEELING WWTP VFD'S
WATER POLLUTION CONTROL DIVISION

DRAWING No.: ZE201
PROJECT No.: 001985
PROJECT ENGINEER: JACOB N
DESIGNER/ENG.: JDN
CUSTOMER: EPPI

TITLE: **TYPICAL 15HP VFD**
480V NEMA TYPE 1
LAYOUT

DATE: 1/10/2022 SHEET: 2 OF 4 REV.: A

