

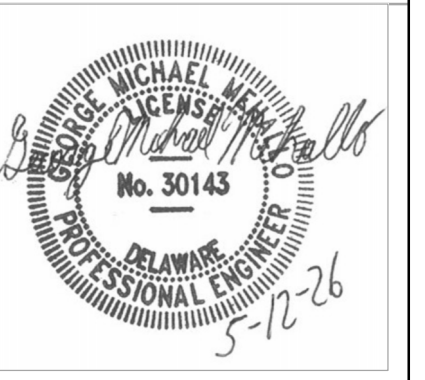


SOURCE: GOOGLE EARTH

PLAN VIEW AREA A
SCALE: 1" = 1000'-0"

LEGEND

- REMOVE RUST AND REPAINT GUARDRAIL TO MATCH EXISTING - 540'-0" +/-
- CONCRETE SPALLING AROUND GUARDRAIL POST EMBEDS - SEE DETAIL 1



| DESIGNED BY: | CHK'D & ISSUED BY: | DATE | REVISION | No. |
|----------------------|--------------------|------|----------|-----|
| DRAWN BY: MJC/CSM | | | | |
| CHECKED BY: GMM | | | | |
| PROJECT NO. 37939 | | | | |

DELAWARE CITY, DE
**CITY OF DELAWARE CITY
DELAWARE CITY SEA WALL
REPAIRS**
AREA "A" PLAN VIEW

| |
|-----------------------------------|
| PROJECT STATUS: ISSUED FOR BID |
| DATE: 5/12/2026 |
| SCALE: AS NOTED |
| SHEET: S101 |



CONCRETE SPALLING
AROUND GUARDRAIL POST
EMBEDS - SEE DETAIL 1 -
1194'-0" +/-
APPROX EVERY OTHER POST
100 +/- LOCATIONS

LEGEND LEGEND
CONCRETE SPALLING AROUND GUARDRAIL POST EMBEDS - SEE DETAIL 1

PLAN VIEW AREA B

SCALE: 1" = 1000'-0"

SOURCE: GOOGLE EARTH

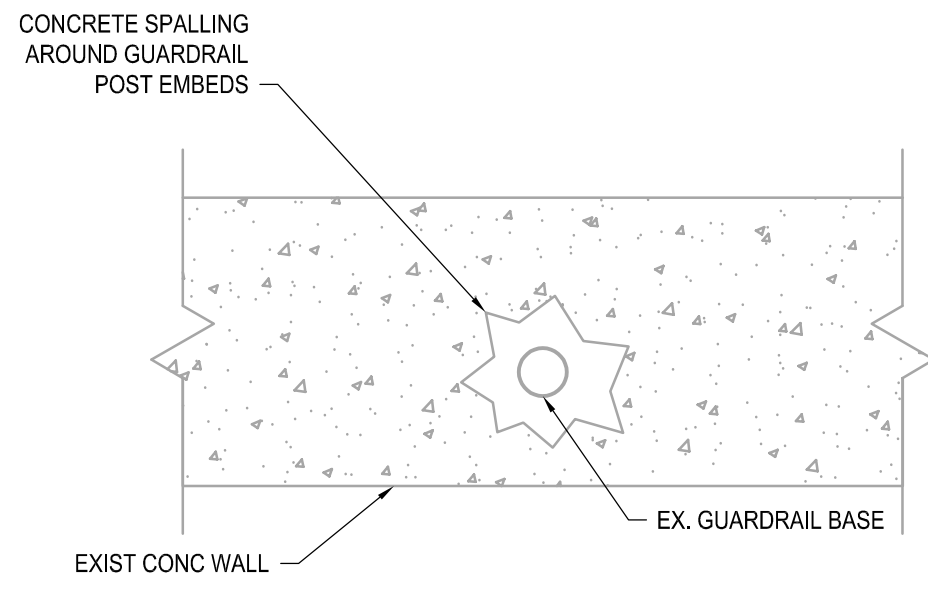


DESIGNED BY:
DRAWN BY: MJC/GSM
CHECKED BY: GMM
PROJECT NO. 37939

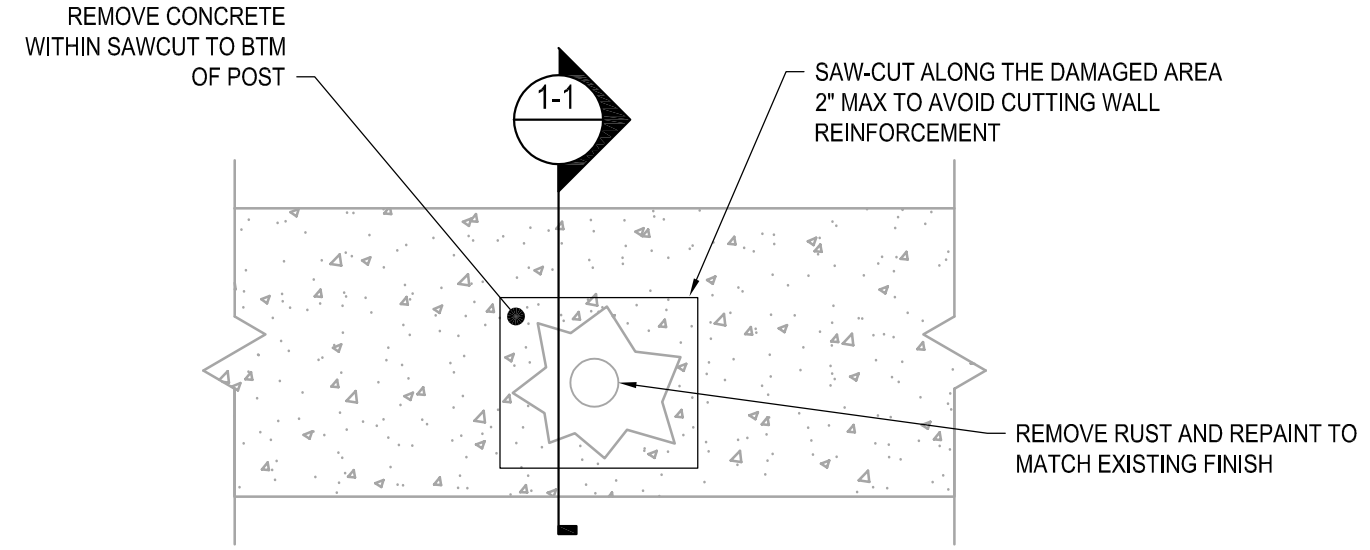
| NO. | REVISION | DATE | CHK'D & ISSUED BY |
|-----|----------|------|-------------------|
| | | | |
| | | | |
| | | | |
| | | | |

DELAWARE CITY, DE
**CITY OF DELAWARE CITY
DELAWARE CITY SEA WALL
REPAIRS**
AREA "B" PLAN VIEW

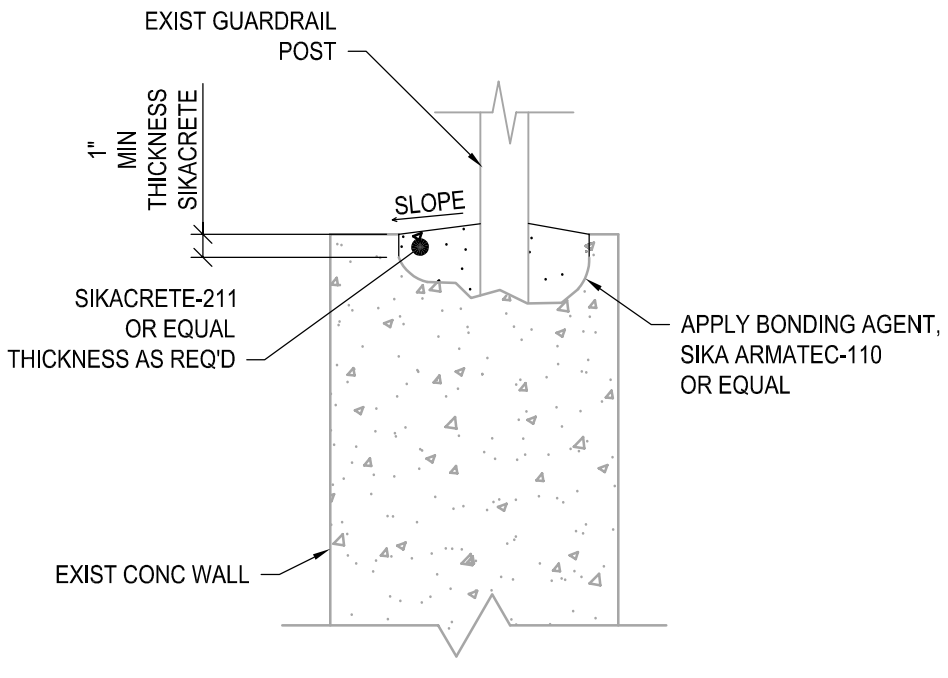
PROJECT STATUS:
ISSUED FOR BID
DATE: 5/12/2026
SCALE: AS NOTED
SHEET: **S102**



EXISTING PLAN VIEW

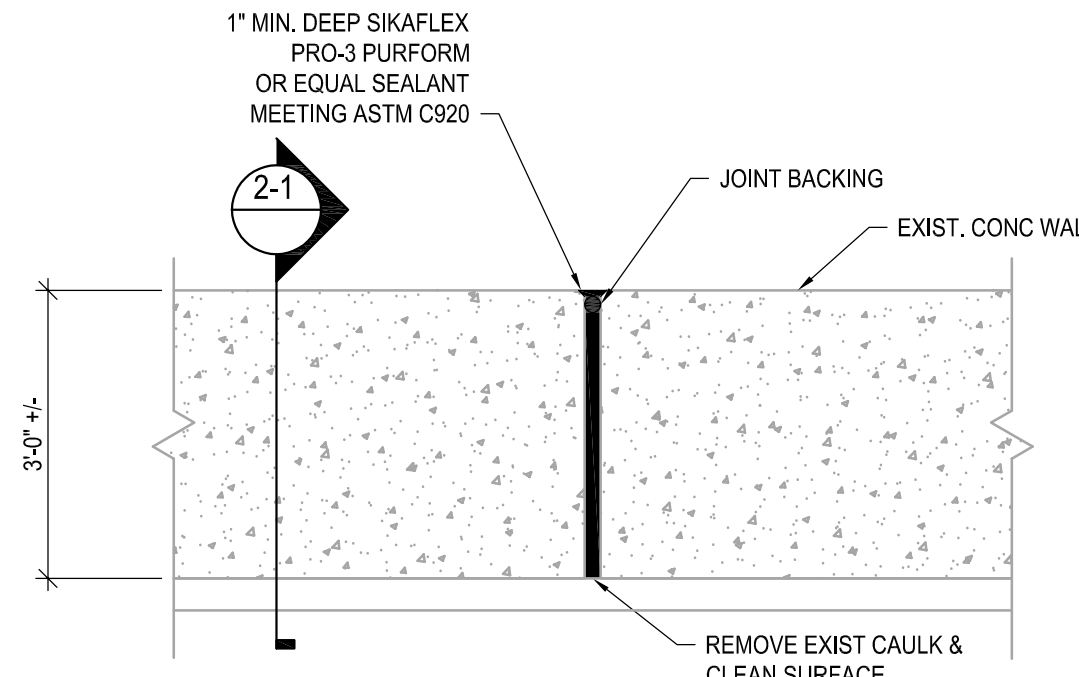


NEW WORK PLAN VIEW

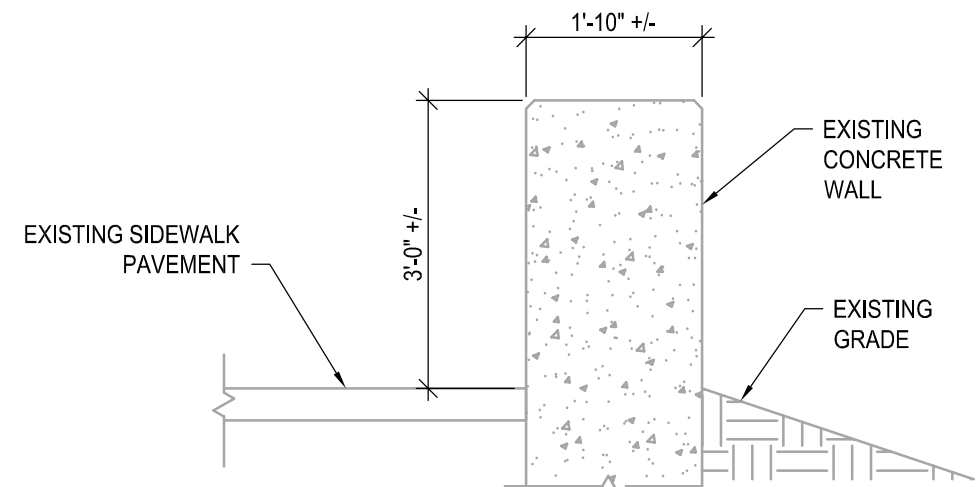


1-1 SECTION
SCALE: 3/4" = 1'-0"

1 CONC SPALLING @ POST - DETAIL 1
SCALE: 3/4" = 1'-0"

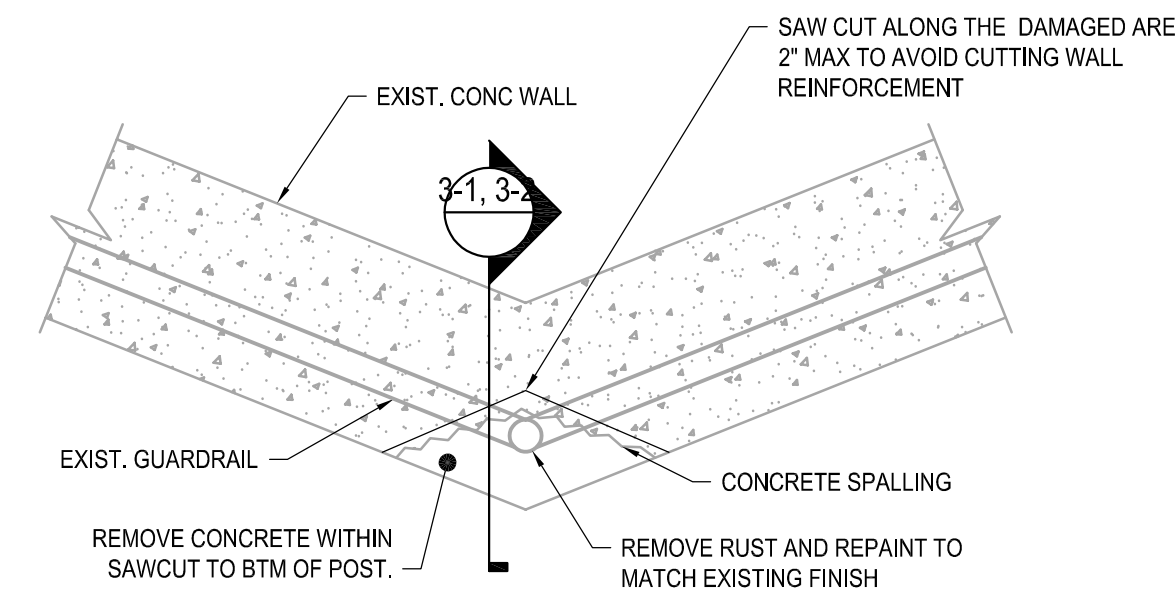


ELEVATION VIEW

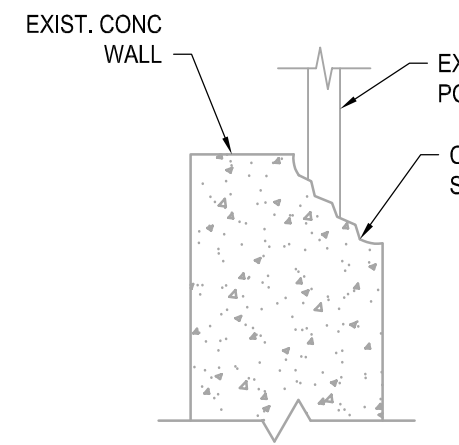


2-1 SECTION
SCALE: 1/2" = 1'-0"

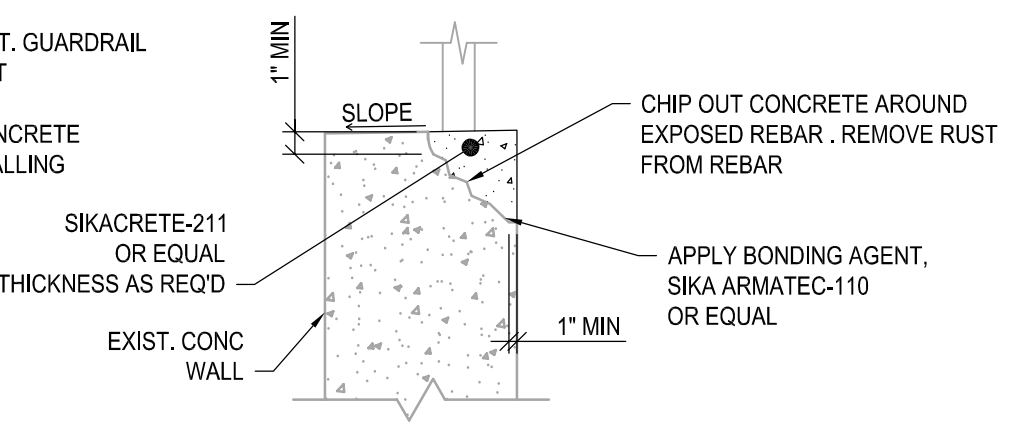
2 CONC WALL JOINT REPAIR - DETAIL 2
SCALE: 1/2" = 1'-0"



PLAN VIEW

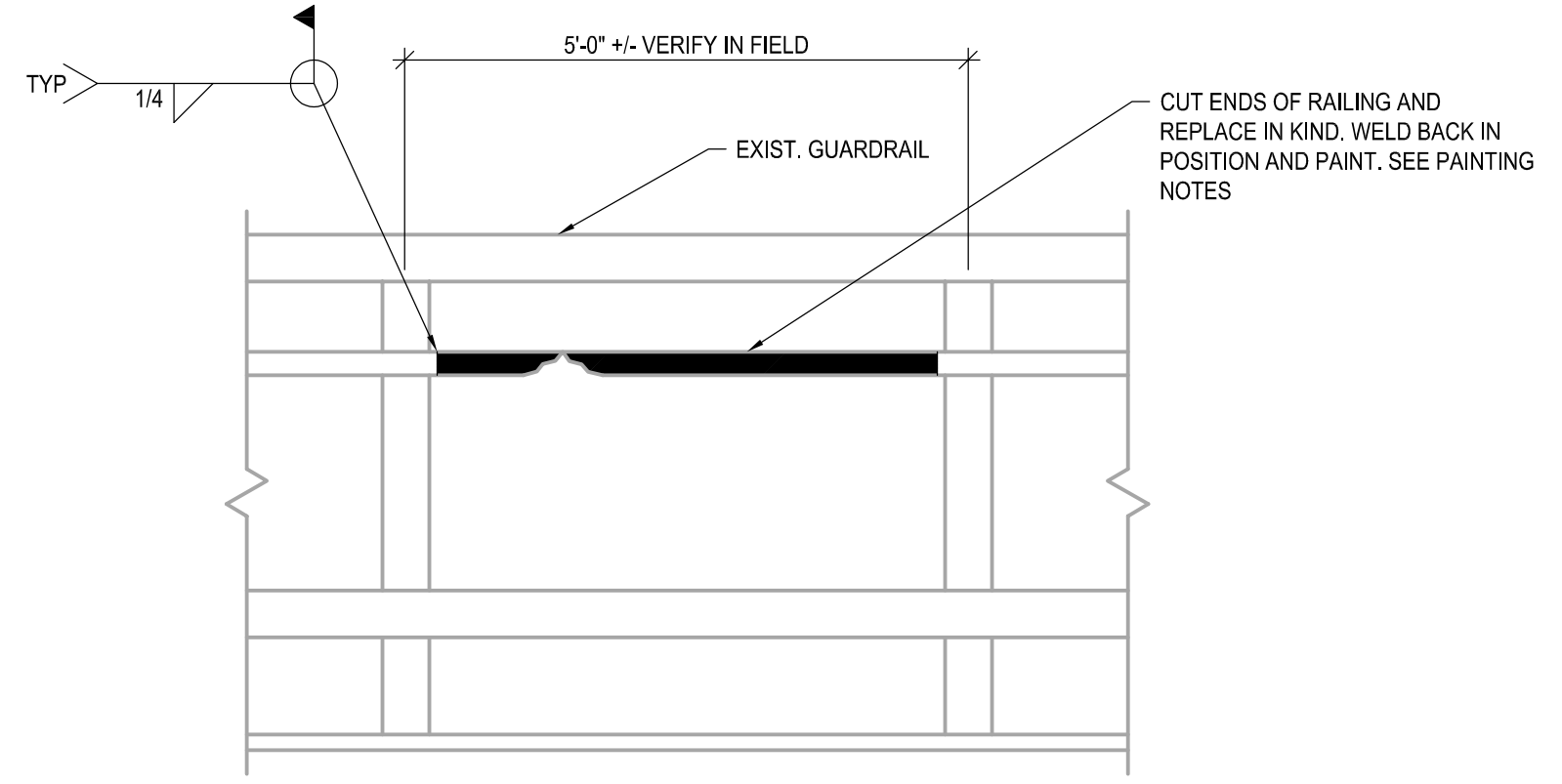


3-1 EXIST SECTION
SCALE: 1/2" = 1'-0"

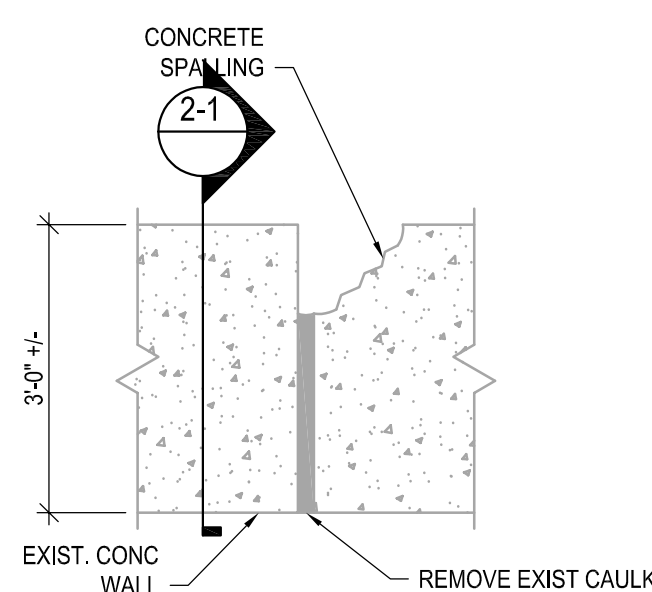


3-2 NEW WORK SECTION
SCALE: 1/2" = 1'-0"

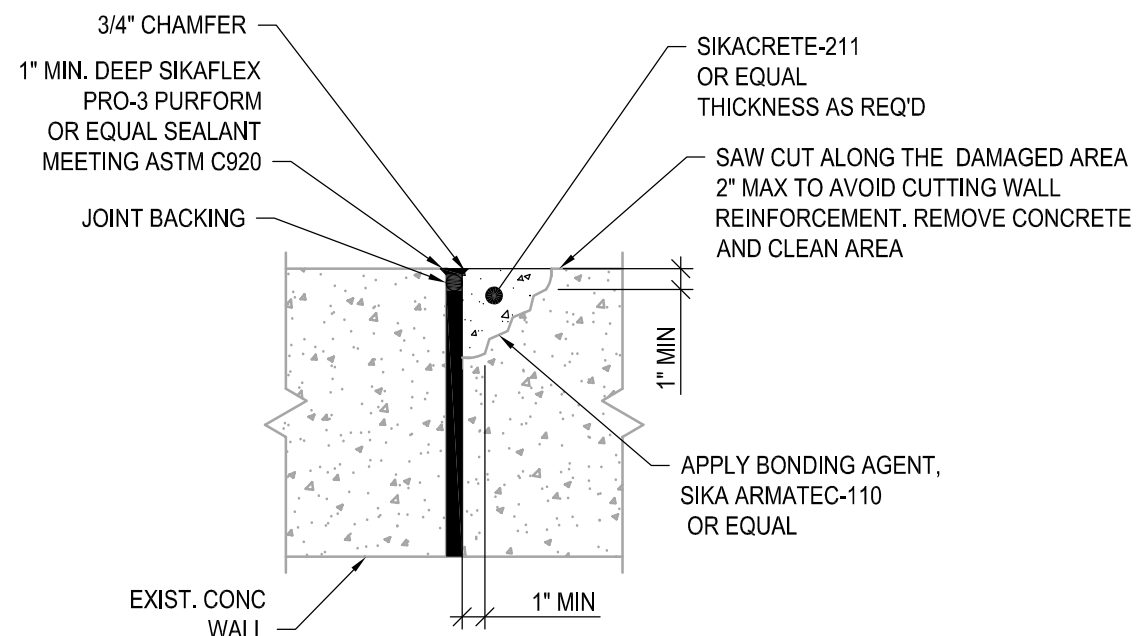
3 CONC SPALLING @ CORNER - DETAIL 3
SCALE: 1/2" = 1'-0"



4 GUARDRAIL REPAIR - DETAIL 4
SCALE: 1/2" = 1'-0"



EXIST ELEVATION VIEW



NEW WORK ELEVATION VIEW

5 CONC SPALLING @ JOINT - DETAIL 3
SCALE: 1/2" = 1'-0"

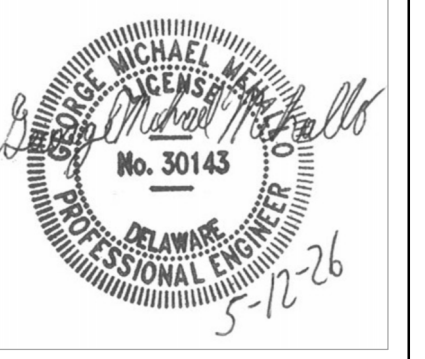
PAINTING NOTES

APPLY ALL PAINT SYSTEMS PER MANUFACTURER'S RECOMMENDATIONS AND SPECIFICATIONS. EQUIVALENT PAINT SYSTEMS ARE ACCEPTABLE BASED ON THE REVIEW OF THE ENGINEER. CONTRACTOR SHALL PROVIDE SUBMITTAL FROM MANUFACTURER WITH DETAILED COMPARISON TO THE SYSTEMS SPECIFIED BELOW.

PAINT SPECIFICATION:

- SURFACE PREPARATION SSPC SP-6
- FIRST COAT PPG AMERLOCK 2 (OR 400), 5-8 MILS DFT
- TOP COAT PPG PSX 700, 3-5 MILS DFT

COLOR TO MATCH EXISTING.



| | | | |
|--------------------|-----------|-------------|-------------|
| DESIGNED BY: | DRAWN BY: | CHECKED BY: | PROJECT NO. |
| | MJC/GSM | GMM | 37939 |
| CHG/D & ISSUED BY: | DATE: | REVISION: | No. |
| | | | |

DELAWARE CITY, DE
**CITY OF DELAWARE CITY
DELAWARE CITY SEA WALL
REPAIRS**
SECTIONS & DETAILS

| | |
|-----------------|----------------|
| PROJECT STATUS: | ISSUED FOR BID |
| DATE: | 5/12/2026 |
| SCALE: | AS NOTED |
| SHEET: | S103 |