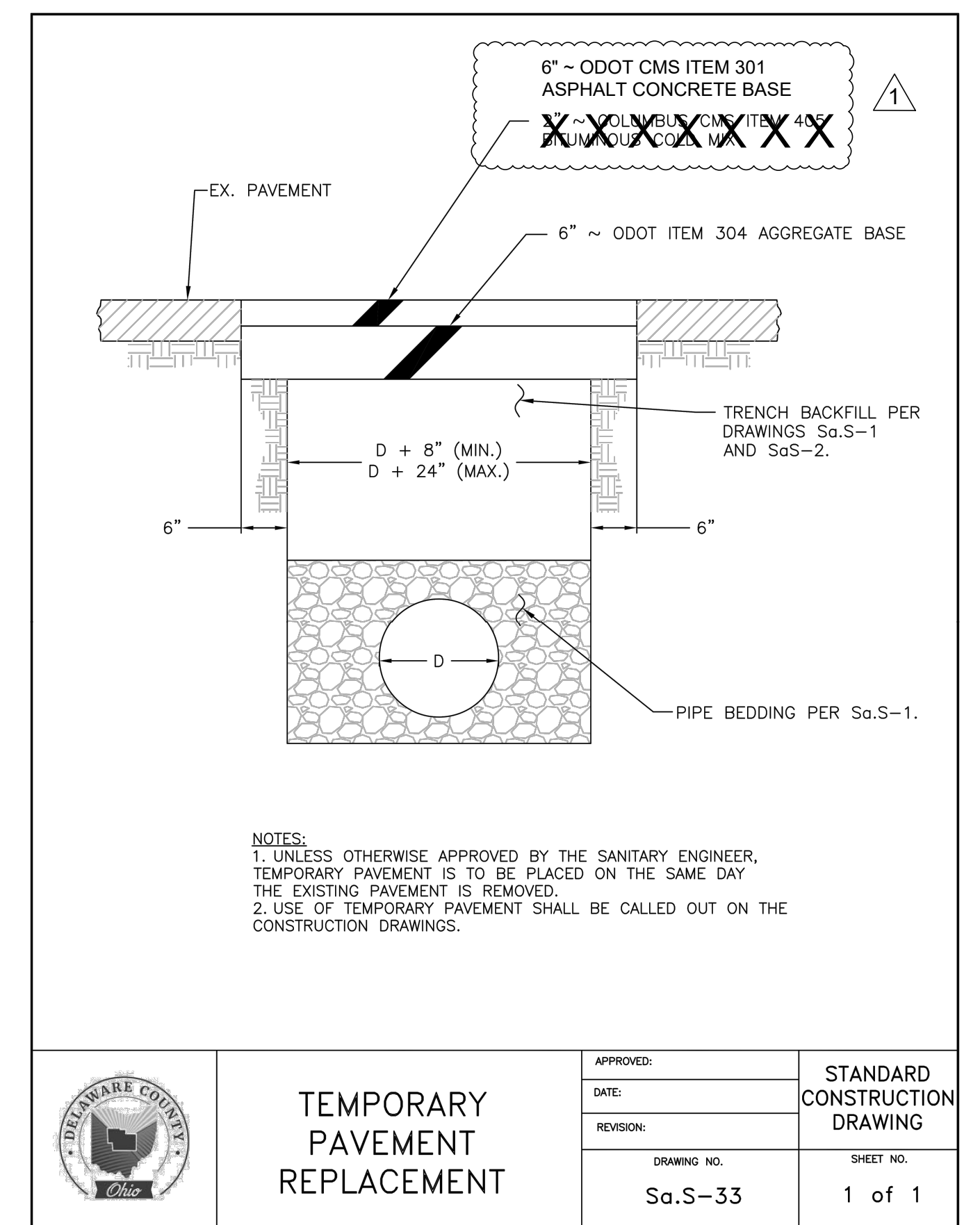
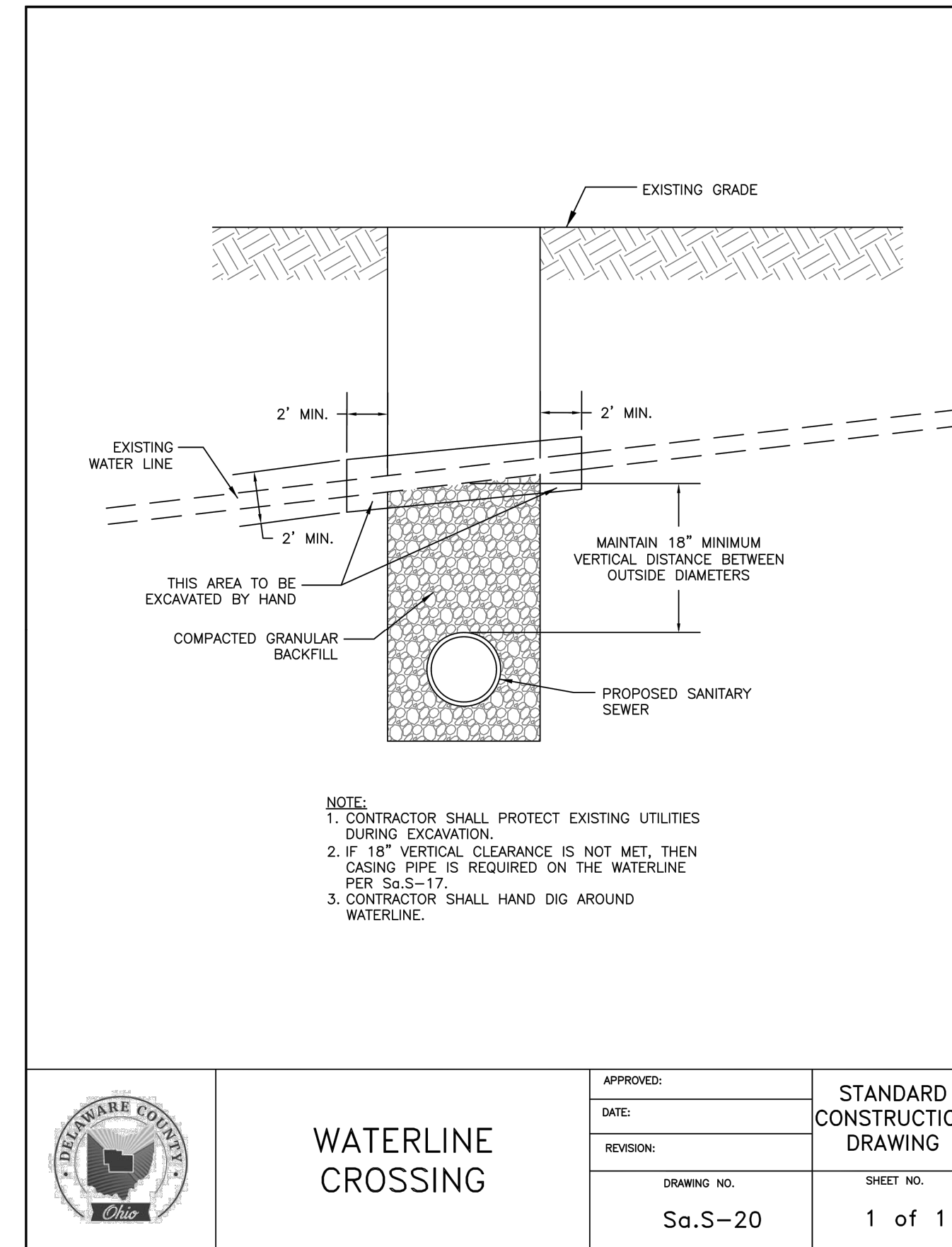
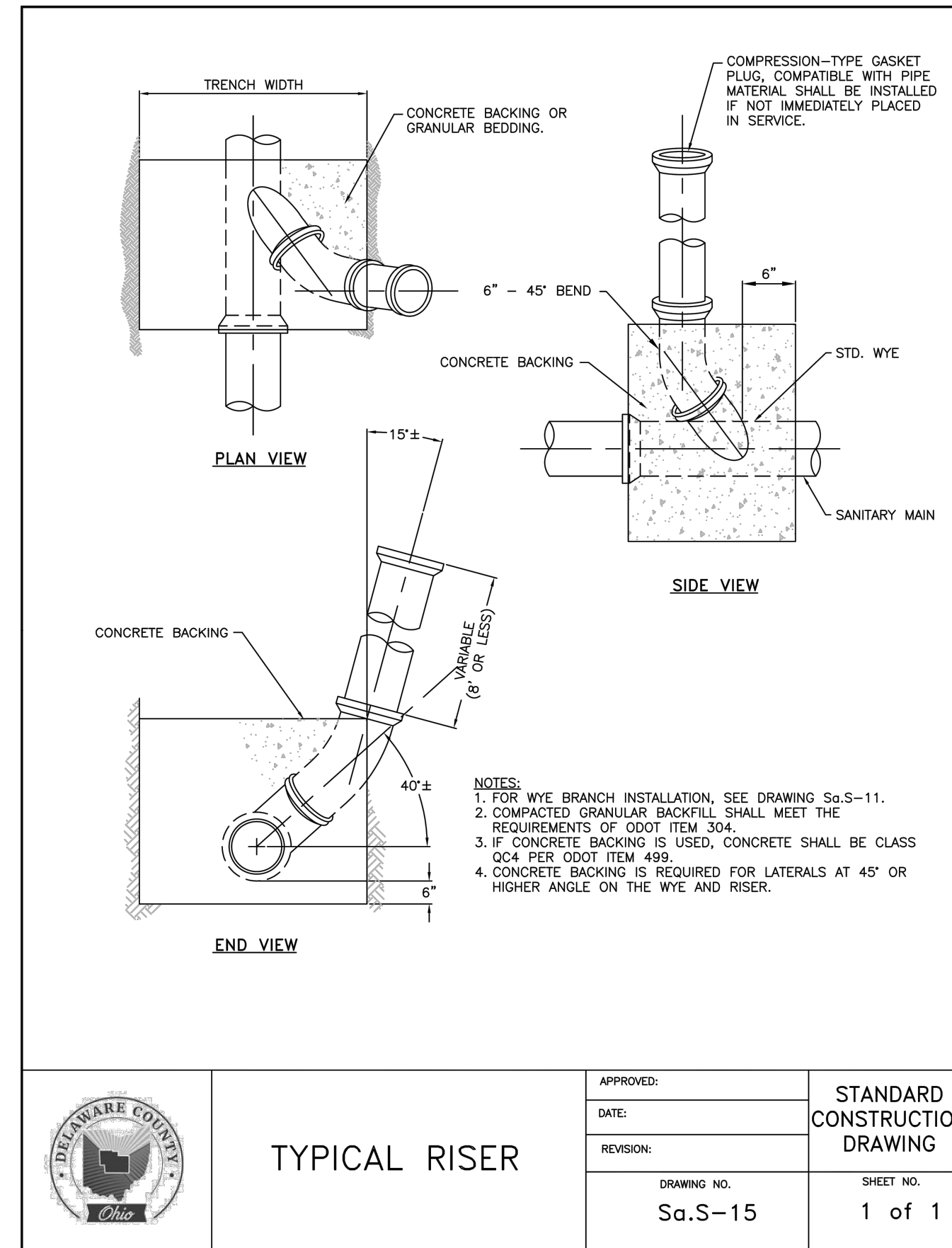
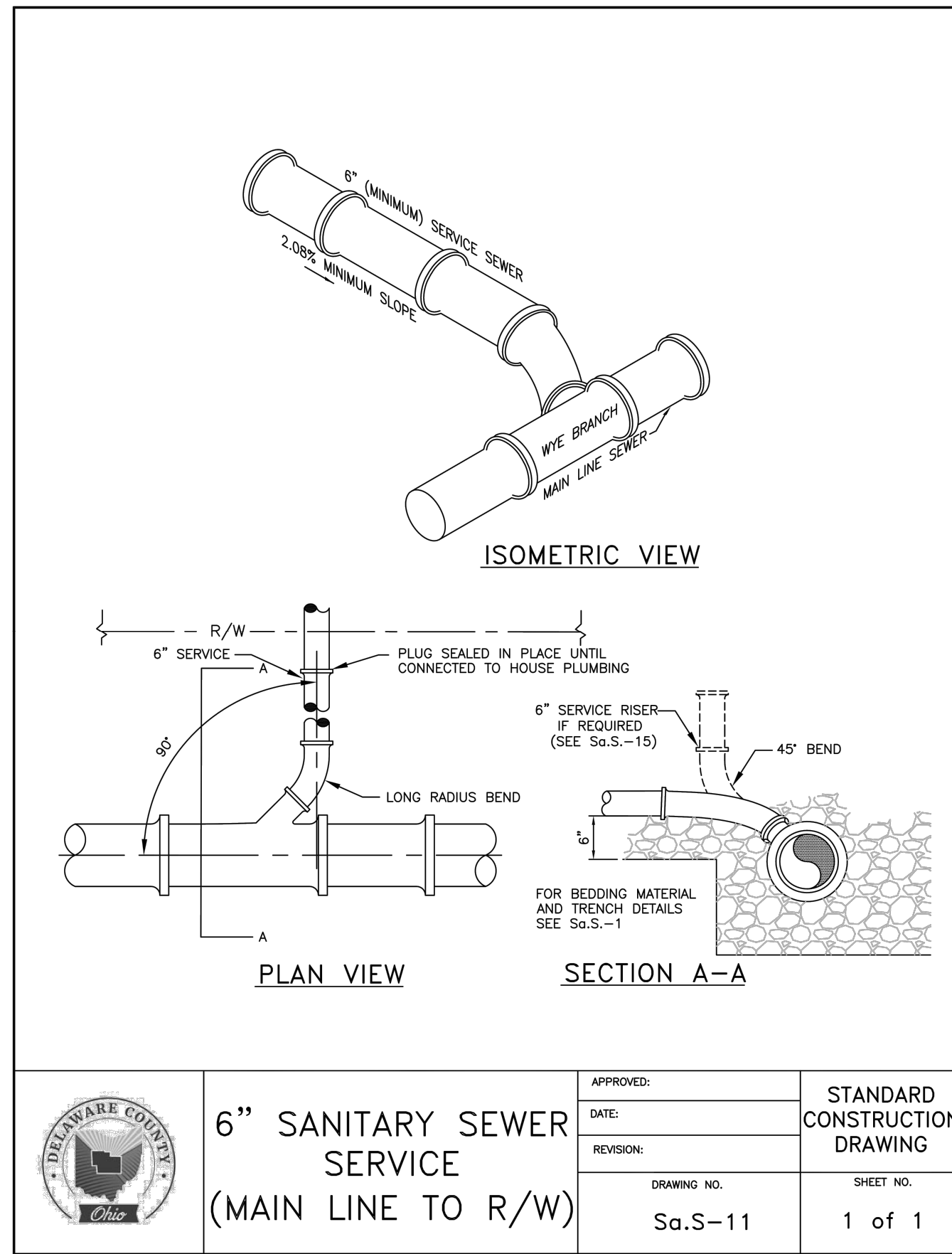


**BID SET**

**verdantas**



**NOTES:**  
ODOT STANDARD CONSTRUCTION DRAWINGS ARE NOT SHOWN BUT ARE LISTED BELOW:  
MT-97.10, MT-100.60, MT-105.10, TC-41.20, TC-41.30, & TC-42.20.

ISSUED FOR:	BID SET	NO	REVISION	DATE
ISSUE DATE:	2/4/26	1	STANDARD CONSTRUCTION DRAWING	3/10/26
SCALE:	AS SHOWN		Sa.S-33 REVISED	
DESIGNED BY:	EJT			
DRAWN BY:	BKU			
CHECKED BY:	AF			

**LITTLE WALNUT CREEK  
INTERCEPTOR SEWER - PHASE 2A  
CITY OF SUNBURY, DELAWARE COUNTY, OHIO**

**STANDARD DRAWINGS - 2**

PROJECT NO.	22000715
DISCIPLINE	CIVIL
SHEET NAME	STD-DWG2
SHEET	5A
OF	15