

PAVEMENT REPLACEMENT

PAVEMENT REPLACEMENT FOR ALL STREETS EXCEPT LINCOLN AVE. & LYON AVE. SHALL BE TYPE B.
 PAVEMENT REPLACEMENT FOR LINCOLN AVE. & LYON AVE. SHALL BE TYPE A.

NOTE:

LOCATION OF EXISTING SANITARY LATERALS TO BE VERIFIED BY THE CONTRACTOR PER ITEM 167 OF THE SPECIFICATIONS. CONNECTION OF EXISTING SANITARY LATERALS TO NEW SANITARY LATERALS ARE TO BE MADE WITHIN THE RIGHT-OF-WAY.
 EXISTING AND PROPOSED SERVICE LATERALS ARE NOT SHOWN ON THE CONTRACT DRAWINGS. THE INTENT OF THIS CONTRACT IS TO PROVIDE NEW SERVICE LATERALS TO EACH PARCEL IN THE PROJECT AREA AND CONNECT THEM TO THE PROPERLY IDENTIFIED EXISTING SANITARY CONNECTION. NEW SERVICE LATERALS SHALL BE EXTENDED TO THE RIGHT-OF-WAY LINE FOR VACANT LOTS.

UTILITY COMPANIES

City of Willoughby
 1 Public Square
 Willoughby, Ohio 44094
 Attn: George Tegner
 951-2800

Ohio Bell Telephone
 34 S. St. Clair Ave., Floor 3
 Painesville, Ohio 44077
 Attn: James Snyder
 352-5828

Lake County Dept. of Utilities (Water)
 38270 Aqarius Parkway
 Willoughby, Ohio 44094
 Attn: Ron Fatca
 942-6901

Cleveland Electric Illuminating Company
 55 Public Square
 Cleveland, Ohio 44101
 Attn: Timothy Duffy
 622-9800

East Ohio Gas Company
 P.O. Box 5759
 Cleveland, Ohio 44101
 Attn: Jerry Janik
 432-3232

Continental Cablevision
 38038 Second Street
 Willoughby, Ohio
 Attn: Chris Potts
 953-0547

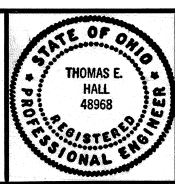
UTILITIES NOTIFICATION

AT LEAST TWO WORKING DAYS PRIOR TO COMMENCING CONSTRUCTION OPERATIONS IN AN AREA WHICH MAY INVOLVE UNDERGROUND UTILITY FACILITIES, THE CONTRACTOR SHALL NOTIFY THE PROJECT ENGINEER, THE REGISTERED UTILITY PROTECTION SERVICE AND THE OWNERS OF EACH UNDERGROUND UTILITY FACILITY SHOWN IN THE PLANS.

THE OWNER OF THE UNDERGROUND UTILITY FACILITY SHALL, WITHIN FORTY-EIGHT HOURS EXCLUDING SATURDAYS, SUNDAYS, AND LEGAL HOLIDAYS, AFTER NOTICE IS RECEIVED, STAKE, MARK OF OTHERWISE DESIGNATE THE LOCATION OF THE UNDERGROUND UTILITY FACILITIES IN THE CONSTRUCTION AREA IN SUCH A MANNER AS TO INDICATE THEIR COURSE TOGETHER WITH THE APPROXIMATE DEPTH AT WHICH THEY WERE INSTALLED. THE MARKING OR LOCATING SHALL BE COORDINATED TO STAY APPROXIMATELY TWO DAYS AHEAD OF THE PLANNED CONSTRUCTION.

NOTE:
 ALL ELEVATIONS SHOWN ON THESE DRAWINGS ARE BASED ON U.S.G.S. DATUM.

COLPETZER-THOMAS, INC.
 AN ENGINEERING GROUP



REV. NO.	DESCRIPTION	DATE	BY	CHK'D.

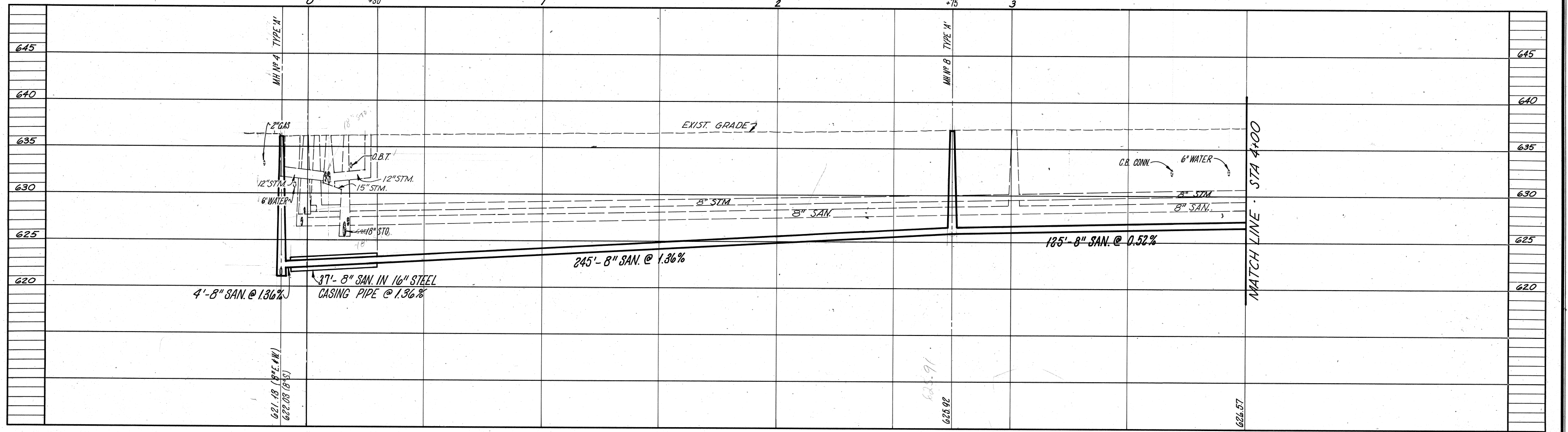
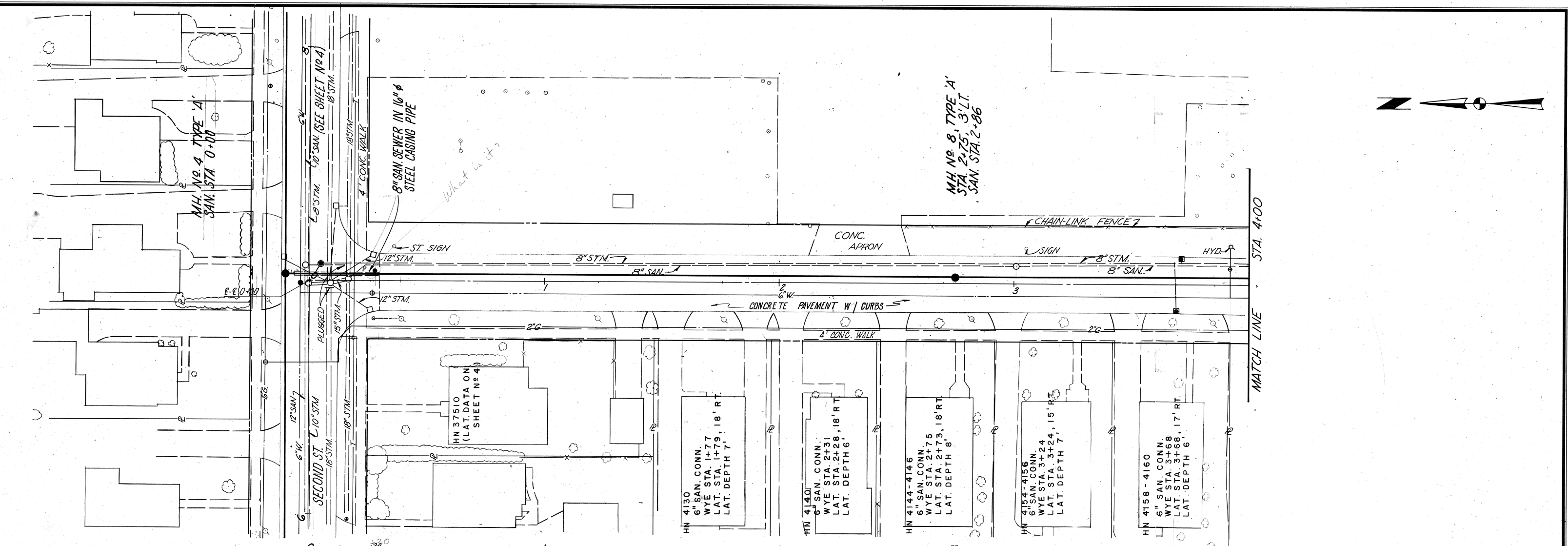
CITY OF WILLOUGHBY
ORCHARD PARK
 SANITARY SEWER REPLACEMENT

DATE: MARCH, 1986
 DRAWN BY: K.J.L., R.L.M.
 CHECKED BY: T.E.H.
 APPROVED BY: R.V.T.
 F.B. No. PG.

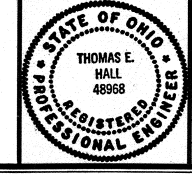
GENERAL PLAN AND MISCELLANEOUS NOTES

SCALES	
HOR.	NONE
VERT.	NONE
CONTRACT No. 85-808	
SHEET NO.	OF
2	28

WILLOUGHBY • MENTOR • NORTH CANTON • STEUBENVILLE • LORAIN



COLPETZER-THOMAS, INC.
AN ENGINEERING GROUP
WILLOUGHBY • MENTOR • NORTH CANTON • STEUBENVILLE • LORAIN



REV. NO.	DESCRIPTION	DATE	BY	CHK'D.

CITY OF WILLOUGHBY
ORCHARD PARK
SANITARY SEWER REPLACEMENT

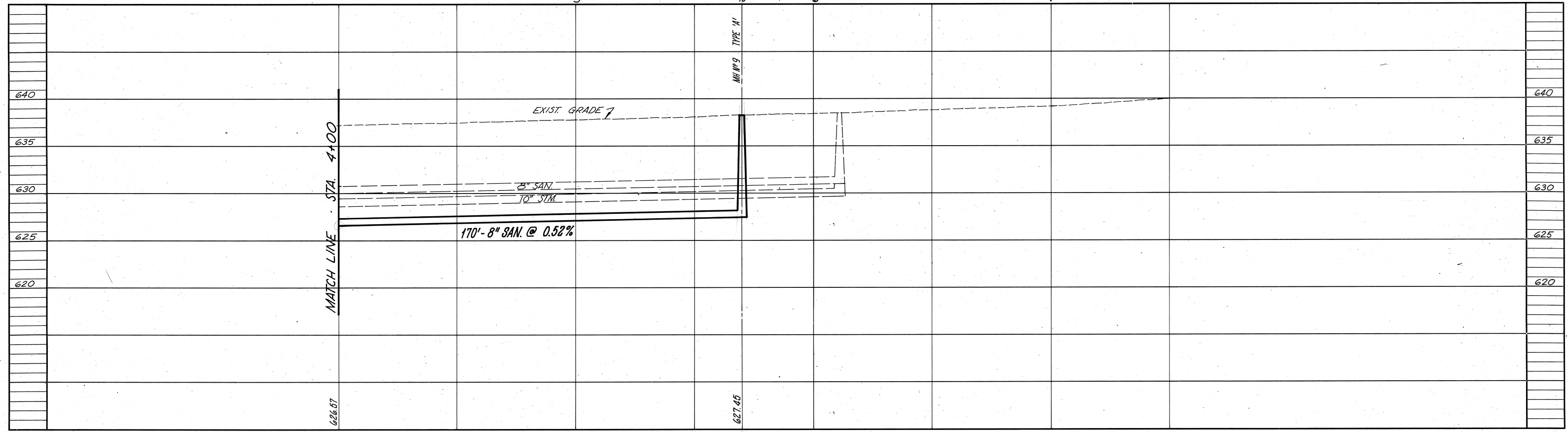
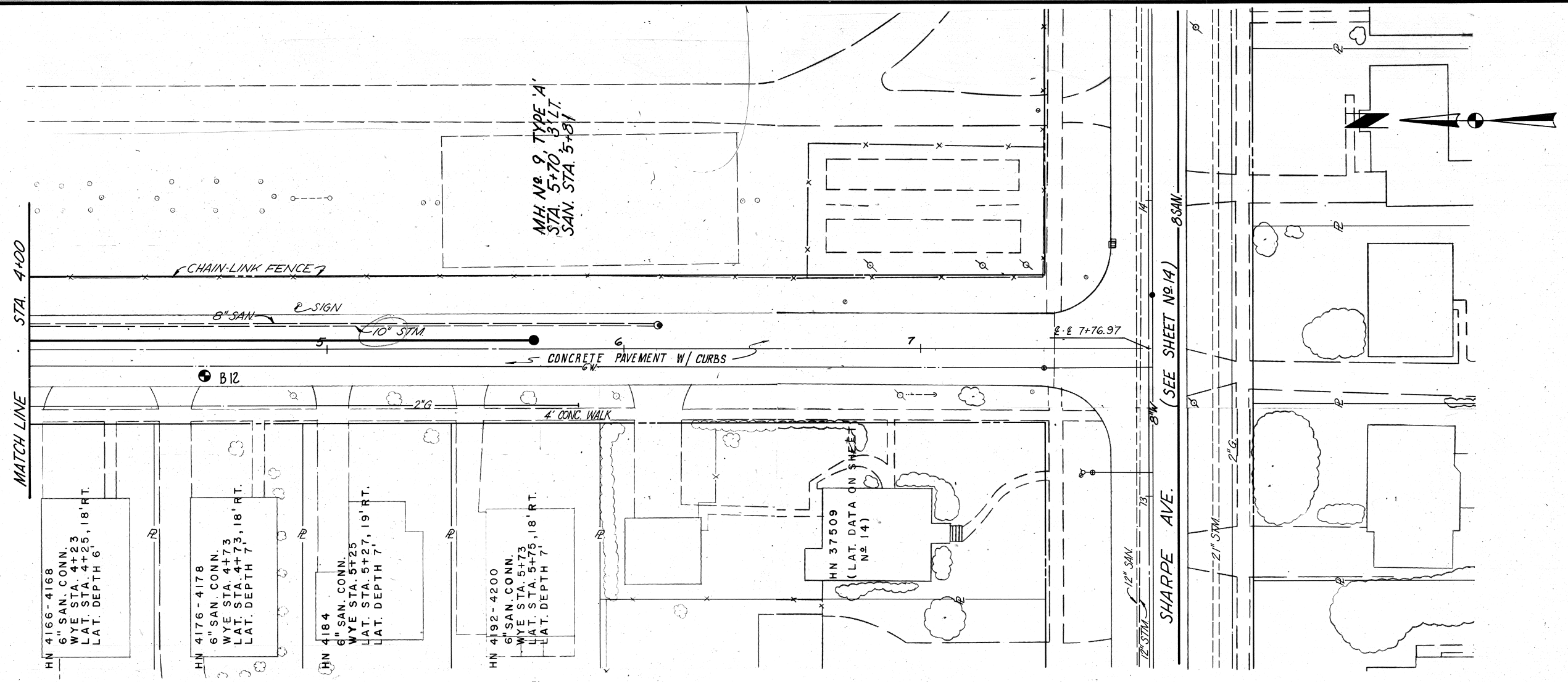
DATE: MARCH, 1986
DRAWN BY: K.J.L., R.L.M.
CHECKED BY: T.E.H.
APPROVED BY: R.J.I.
F.B. No. W.BQ. PG. 60

PLAN AND PROFILE
LINCOLN AVENUE
STA. 0+00 TO 4+00

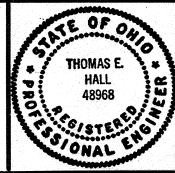
SCALE:
HOR. 1" = 20'
VERT. 1" = 5'

CONTRACT NO.
85-808

SHEET NO. **8** OF **28**



COLPETZER-THOMAS, INC.
AN ENGINEERING GROUP
WILLOUGHBY • MENTOR • NORTH CANTON • STEUBENVILLE • LORAIN



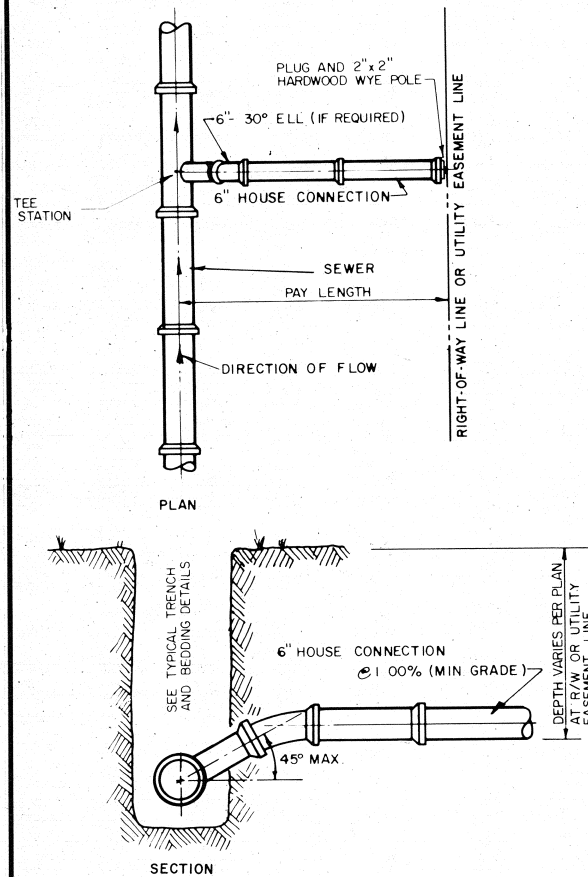
REV. NO.	DESCRIPTION	DATE	BY	CHK'D.

CITY OF WILLOUGHBY
ORCHARD PARK
SANITARY SEWER REPLACEMENT

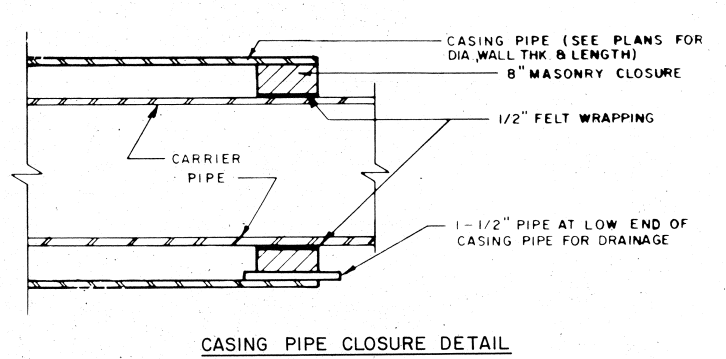
DATE: MARCH, 1980
DRAWN BY: K.J.L., R.L.M.
CHECKED BY: T.E.H.
APPROVED BY: R.J.I.
F.B. No. W-80, PG. 60

PLAN AND PROFILE
LINCOLN AVENUE
STA. 4+00 TO 7+76.97

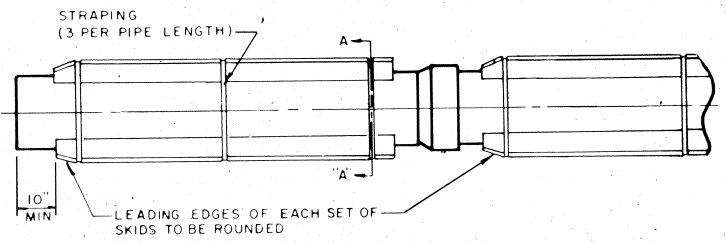
SCALES	
HOR.	1" = 20'
VERT.	1" = 5'
CONTRACT No.	
85-808	
SHEET No.	OF
9	28



SEWER LATERAL DETAIL

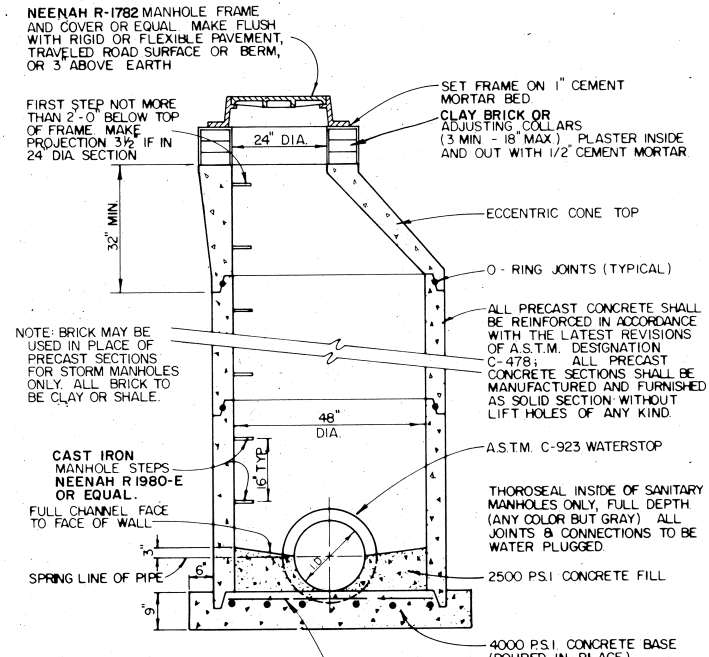


CASING PIPE CLOSURE DETAIL



PIPE SKID DETAIL

BORING DETAIL



STANDARD TYPE "A" ECCENTRIC MANHOLE (I.D. 24" OR LESS)

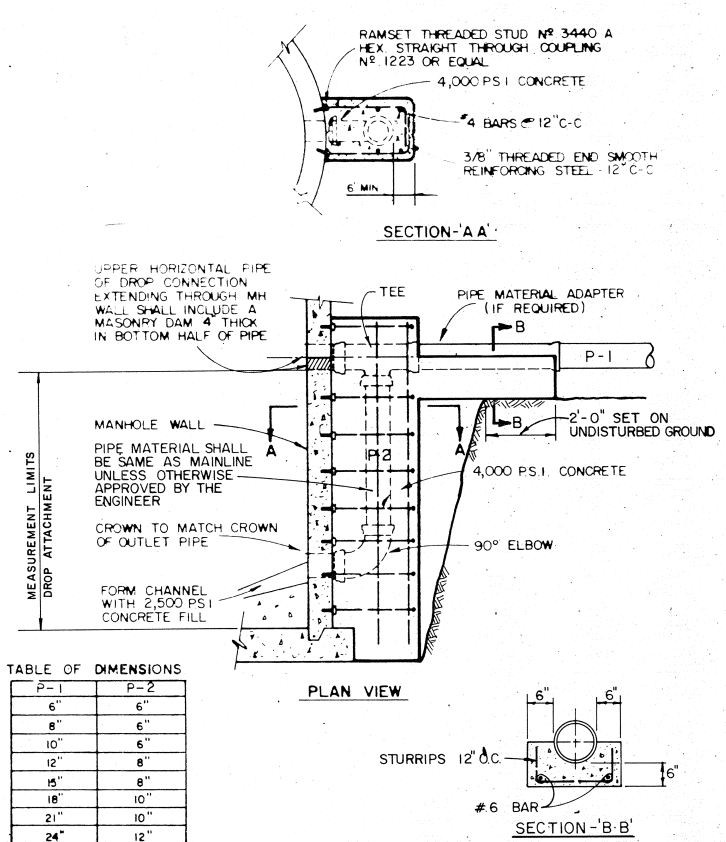
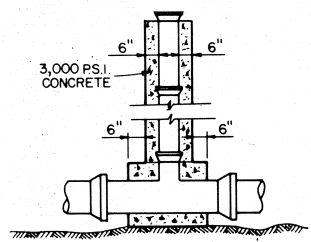


TABLE OF DIMENSIONS

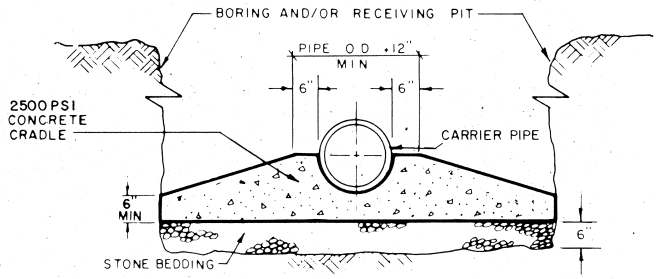
P-1	P-2
6"	6"
8"	6"
10"	6"
12"	8"
15"	8"
18"	10"
21"	10"
24"	12"

STANDARD PRECAST SANITARY MANHOLE DROP CONNECTION

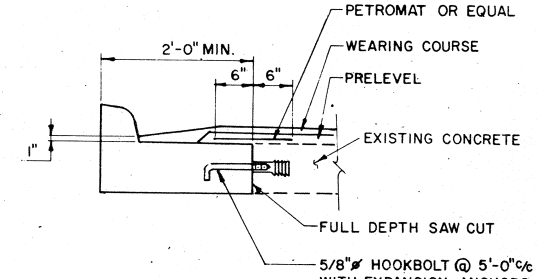


SANITARY RISER DETAIL

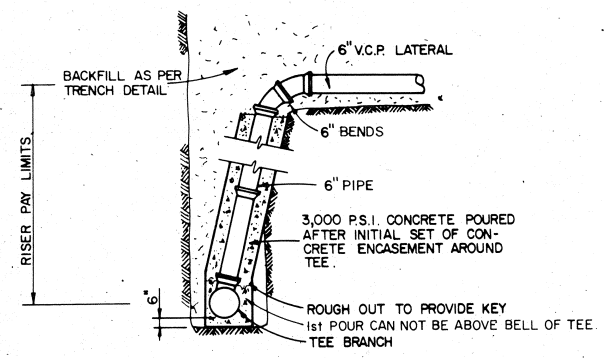
CARRIER PIPE	STEEL CASING PIPE			
	DIA.	DIA.	THICK.	TYPE OF FILL
8"	16"	0.375	B	SAND



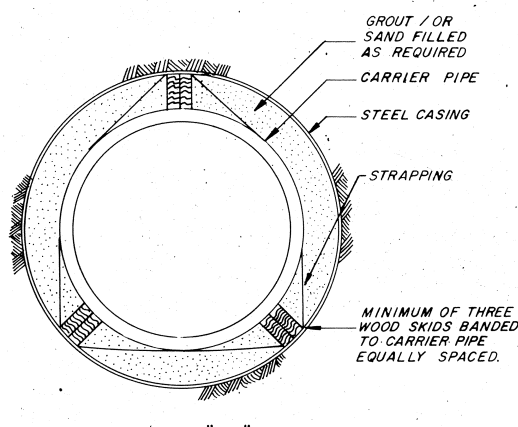
CONCRETE CRADLE DETAIL



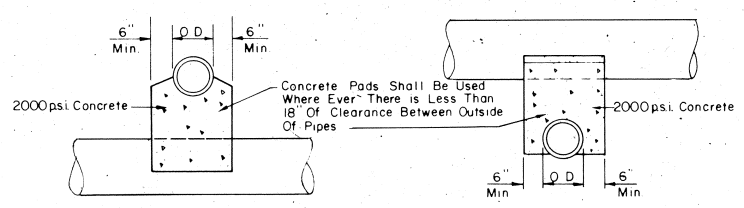
CURB REPLACEMENT DETAIL (WITH ASPHALT OVERLAY) PER O.D.O.T. ITEM 609.04



SANITARY RISER DETAIL



BORING DETAIL N.T.S.



PIPE CROSSING DETAIL NO SCALE

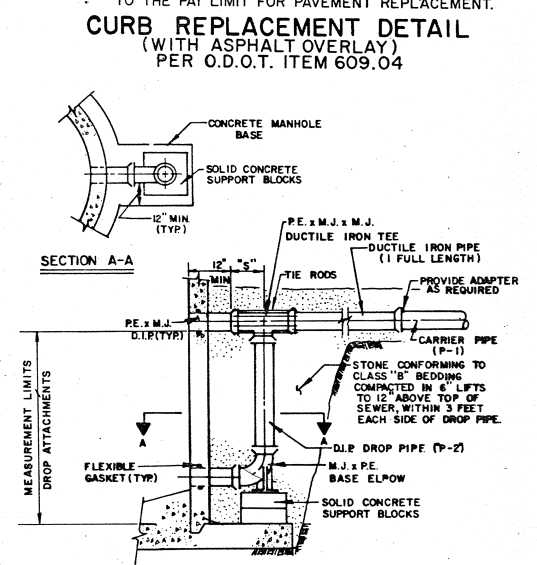
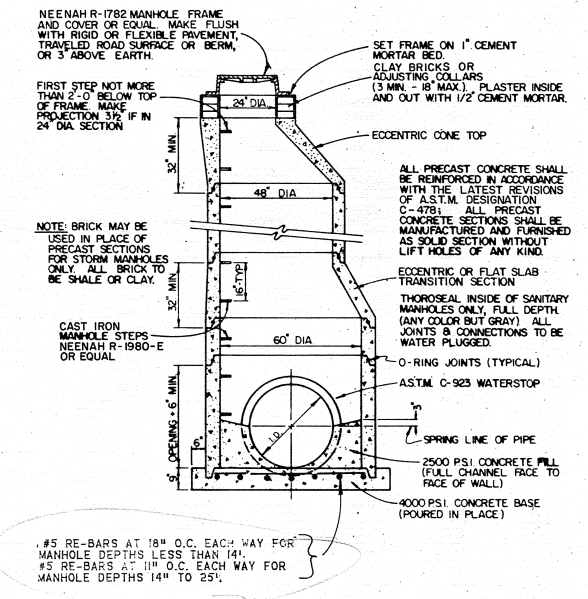


TABLE OF DIMENSIONS

"P-1"	"P-2"	"S"
6"	6"	16"
8"	6"	17"
10"	6"	19"
12"	8"	20"

NOTE: ALL DUCTILE IRON PIPE SHALL BE CLASS 50.

ALTERNATE SANITARY MANHOLE DROP CONNECTION



STANDARD TYPE "B" ECCENTRIC MANHOLE (27" TO 42" I.D.)

REV. NO.	DESCRIPTION	DATE	BY	CHK'D

